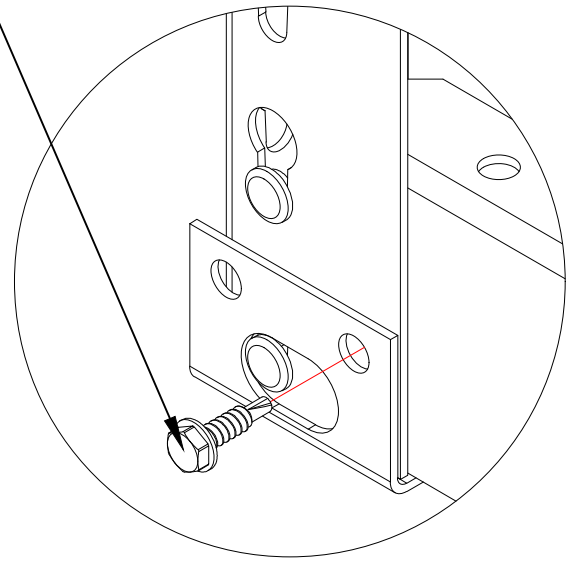


ATTACH BASE PLATE
TO POST W/ $\#12 \times \frac{3}{4}$ "
TEK SCREW TYP.



POST

POST

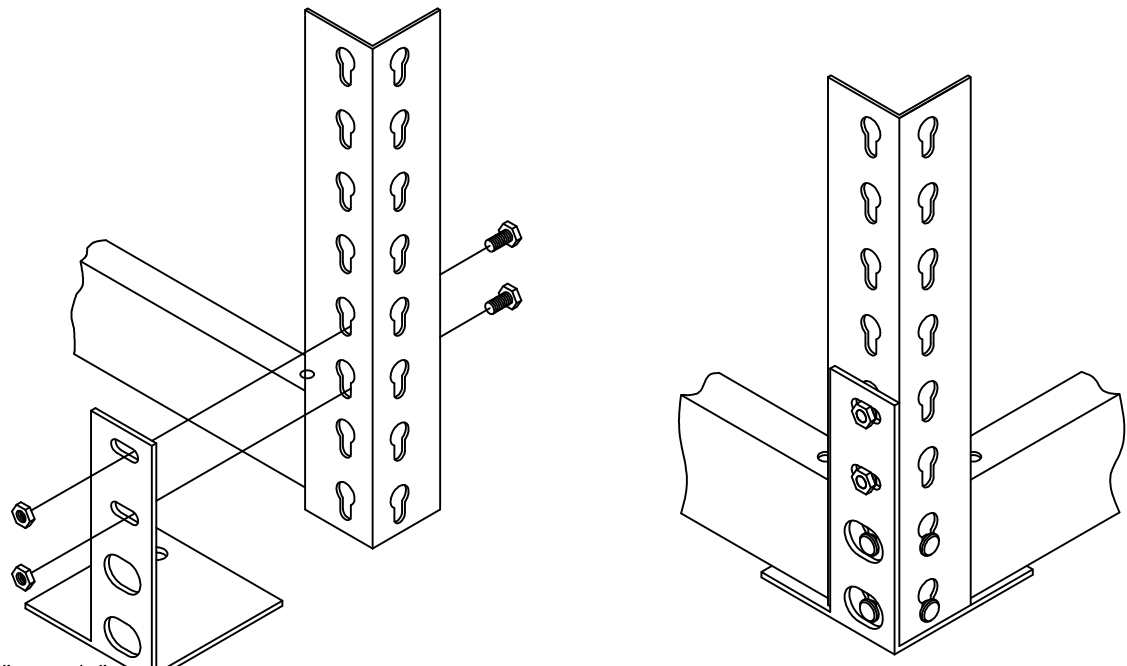
SF BASE PLATE

SS BEAM

DF BASE PLATE

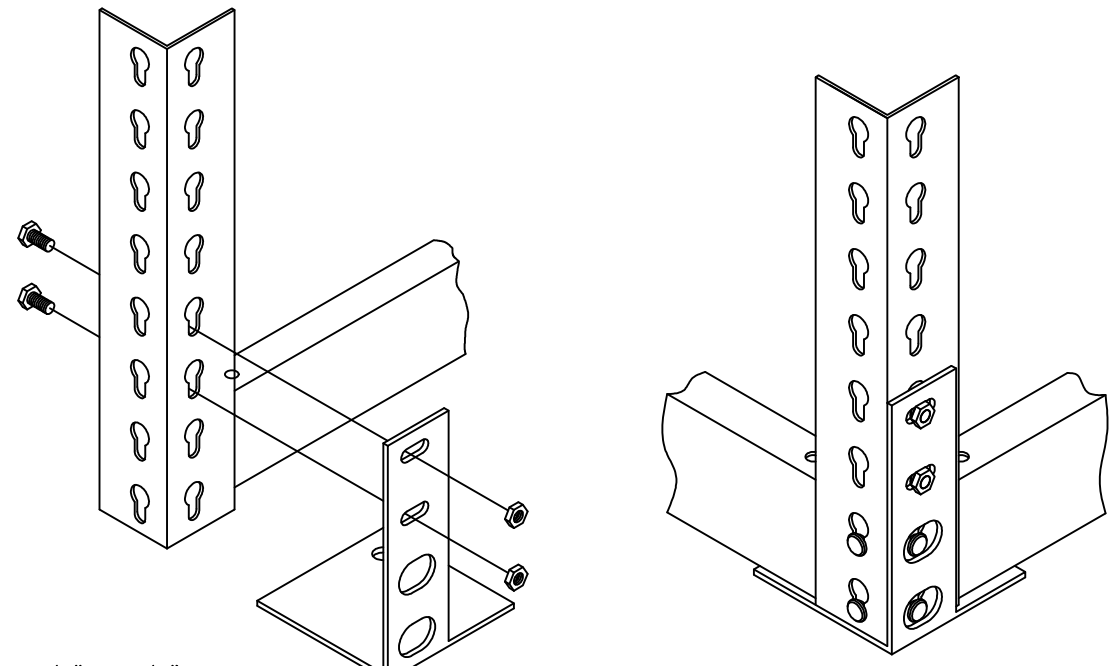


SF & DF BASE PLATE TO POST CONNECTION



1/4" x 1/2"
HEX BOLT, NUT
GRADE 5

BOLT FOOTPLATE TO FRONT OF POST INSERTING BOLT FROM THE REAR



1/4" x 1/2"
HEX BOLT, NUT
GRADE 5

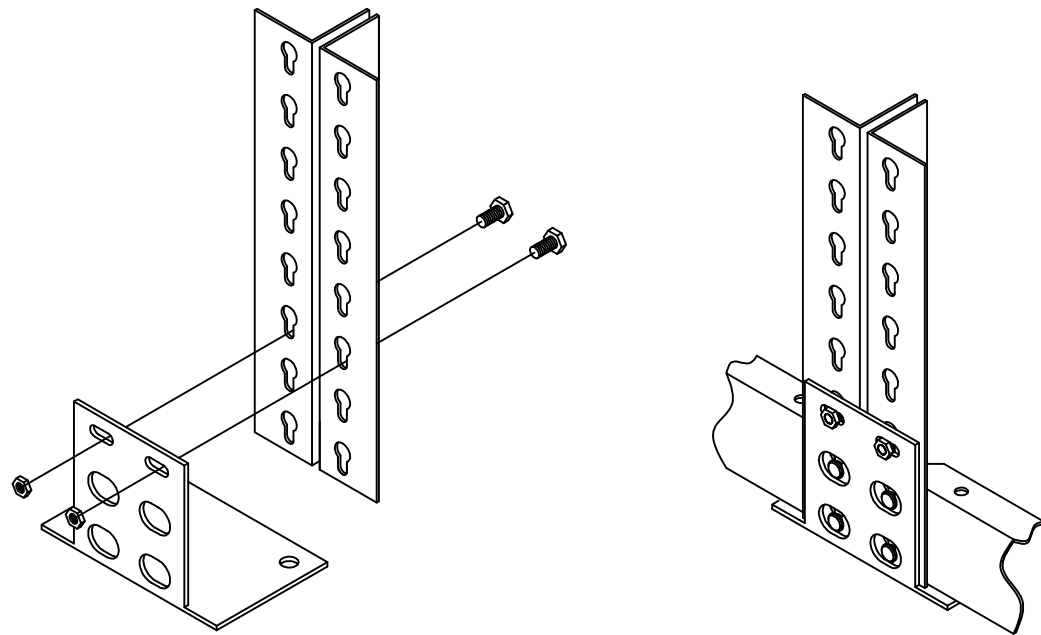
BOLT FOOTPLATE TO FRONT OF POST INSERTING BOLT FROM THE REAR

1

INSTALLATION DETAIL FOR RSSFP-L BASEPLATE

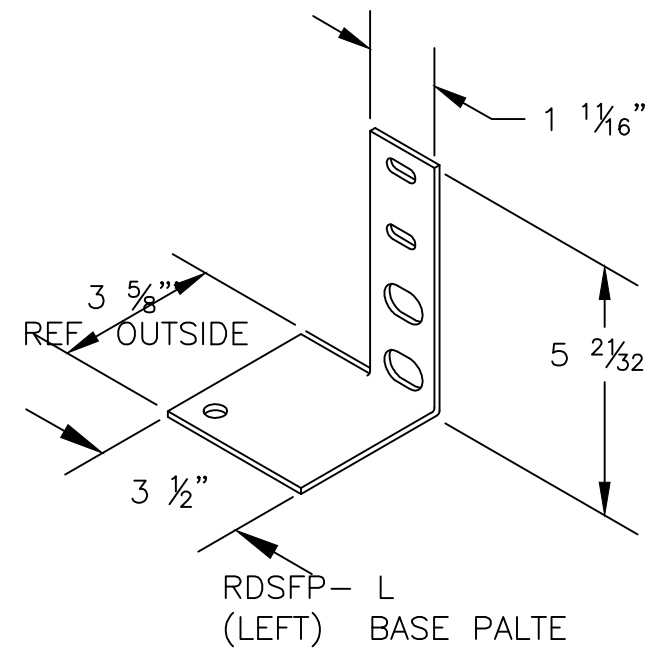
2

INSTALLATION DETAIL FOR RSSFP-R BASEPLATE

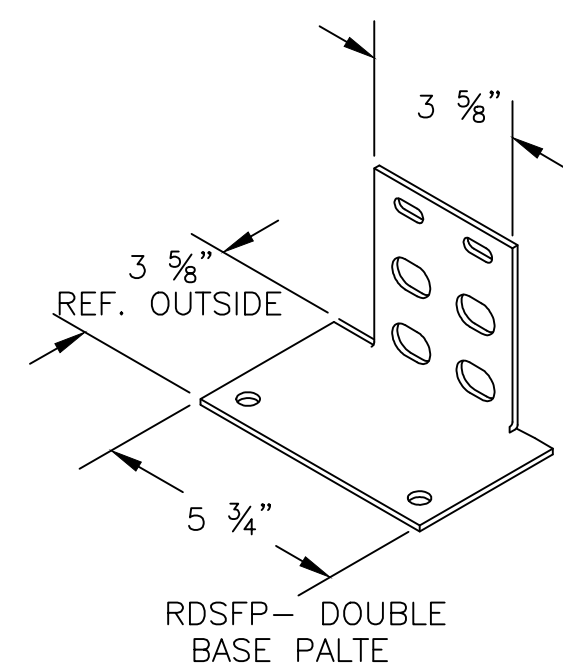


1/4" x 1/2"
HEX BOLT, NUT
GRADE 5

BOLT FOOTPLATE TO FRONT OF POST INSERTING BOLT FROM THE REAR



RDSFP- L
(LEFT) BASE PALTE



RDSFP- DOUBLE
BASE PALTE

3

INSTALLATION DETAIL FOR RDSFP DOUBLE BASEPLATE

UNLESS OTHERWISE SPECIFIED DIMENSIONS ARE IN INCHES TOLERANCES ARE: ANGLES FRACTIONS DECIMAL ± ± .XX = ± .030 .XXX = ± .010 DO NOT SCALE DRAWING This drawing (or print) is the property of Western Pacific Storage Solutions & shall not be traced, photographed, or reproduced in any manner, nor used for any purpose whatsoever except by written permission of Western Pacific Storage Solutions	JOB	PROJECT NO. XXXX	300 East Arrow Highway San Dimas, CA 91773 Tel: (909) 451-0303 FAX: (909) 451-0311	
	MATERIAL xx gage (.xxxx") flat, serrated Supplied by WPSS	APPROVALS	DATE	TITLE
	NEXT ASSY.	DRAWN MINA SHAH	9/14/11	RIVETIER II FOOTPLATE INSTALLATION DETAILS
	MODEL	CHECKED		SIZE PART NO. DRAWING NO. REV
	ENGR		B - - - -	
	APPROVED		SCALE NTS WT. SHEET 1 of 1	