



1645 Lemonwood Dr.  
Santa Paula, CA 93060 USA  
Toll Free: (800) 253-2363  
Tel: (805) 933-9970  
[rangerproducts.com](http://rangerproducts.com)

# Aluminum Racing Floor Jack Assembly and Operation Manual

Manual P/N 5900298 — April 2023

Model:

- 4000ALX



**Designed and engineered by BendPak Inc. in Southern California, USA. Made in China.**

## **⚠ DANGER**

**Read the entire contents** of this manual **before** using this product. Failure to follow the instructions and safety precautions in this manual can result in serious injury or death. Make sure all other operators also read this manual. Keep the manual near the product for future reference. By proceeding with installation and operation, you agree that you fully understand the contents of this manual.

## **⚠ WARNING**

**California Proposition 65.** This product can expose you to chemicals including styrene and vinyl chloride which are on the list of over 900 chemicals identified by the State of California to cause cancer, birth defects or reproductive harm.

**ALWAYS** use this product in accordance with BendPak / Ranger's instructions. For more information go to [www.P65Warnings.ca.gov](http://www.P65Warnings.ca.gov).

**Manual.** 4000ALX Aluminum Racing Floor Jack, *Installation and Operation Manual*, P/N 5900298, Revision A, Released April 2023.

**Copyright.** Copyright © 2023 by BendPak / Ranger Inc. All rights reserved. You may make copies of this document if you agree that: you will give full attribution to BendPak / Ranger Inc., you will not make changes to the content, you do not gain any rights to this content, and you will not use the copies for commercial purposes.

**Trademarks.** BendPak, the BendPak logo, Ranger, and the Ranger logo are registered trademarks of BendPak / Ranger Inc. All other company, product, and service names are used for identification only. All trademarks and registered trademarks mentioned in this manual are the property of their respective owners.

**Limitations.** Every effort has been made to use complete and accurate instructions in this manual. However, product updates, revisions, and/or changes may have occurred since this manual was published. BendPak Ranger reserves the right to change any information in this manual without incurring any obligation for equipment previously or subsequently sold. BendPak / Ranger is not responsible for typographical errors. Feel free to contact us at any time to get the latest information about any product: [rangerproducts.com](https://www.rangerproducts.com).

**Warranty.** The BendPak / Ranger warranty is more than a commitment to you: it is also a commitment to the value of your new product. For full warranty details, contact your nearest BendPak / Ranger dealer or visit [bendpak.com/support/warranty](https://www.bendpak.com/support/warranty). Go to [bendpak.com/support/register-your-product/](https://www.bendpak.com/support/register-your-product/) and fill out the online form to register your product (be sure to click **Submit**).

**Safety.** Your new product was designed and manufactured with safety in mind. Your safety also depends on proper training and thoughtful operation. Do not set up, operate, maintain, or repair the unit without reading and understanding this manual and the labels on it; **do not use this product unless you can do so safely!**

**Owner Responsibility.** In order to maintain your product properly and to ensure operator safety, it is the responsibility of the product owner to read and follow these instructions:

- Follow all installation, operation, and maintenance instructions.
- Make sure product setup conforms to all applicable local, state, and federal codes, rules, and regulations, such as state and federal OSHA regulations.
- Read and follow all safety instructions. Keep them readily available for operators.
- Make sure all operators are properly trained, know how to safely operate the unit, and are properly supervised.
- Do not operate the product until you are certain that all parts are in place and operating correctly.
- Service and maintain the unit only with approved replacement parts.
- Keep the manual with the product and make sure all labels are clean and visible.

**⚠ DANGER** Calls attention to an immediate hazard that **will** result in death or severe injury.

**⚠ WARNING** Calls attention to a hazard or unsafe practice that **could** result in death or severe personal injury.

**⚠ CAUTION** Calls attention to a hazard or unsafe practice that could result in minor personal injury, product damage, or property damage.

Technical support is available by calling **Ranger Products at (800) 253-2363**, option 7, then 4. More information about the full line of Ranger Products is available at [rangerproducts.com](https://www.rangerproducts.com).

## Introduction

This manual describes the 4000ALX Floor Jack assembly and operation. ***This manual is mandatory reading for all 4000ALX Aluminum Racing Floor Jack users.***

## Shipping Information

- Your equipment was carefully checked before shipping. Nevertheless, you should thoroughly inspect the shipment before you sign to acknowledge that you received it.
- When you sign the bill of lading, it tells the carrier that the items on the invoice were received in good condition. ***Do not sign the bill of lading until after you have inspected the shipment.*** If any of the items listed on the bill of lading are missing or damaged, do not accept the shipment until the carrier makes a notation on the bill of lading that lists the missing or damaged goods.
- If you discover missing or damaged goods after you receive the shipment and have signed the bill of lading, notify the carrier at once and request the carrier to make an inspection. If the carrier will not make an inspection, prepare a signed statement to the effect that you have notified the carrier (on a specific date) and that the carrier has failed to comply with your request.
- It is difficult to collect for loss or damage after you have given the carrier a signed bill of lading. If this happens to you, file a claim with the carrier promptly. Support your claim with copies of the bill of lading, freight bill, invoice, and photographs, if available. Our willingness to assist in helping you process your claim does not make us responsible for collection of claims or replacement of lost or damaged materials.

## Liability Information

BendPak / Ranger assumes no liability for damages resulting from:

- Use of the equipment for purposes other than those described in this manual.
- Modifications to the equipment without prior, written permission from BendPak / Ranger.
- Damage to the equipment from external influences.
- Incorrect operation of the equipment.

## Safety Information

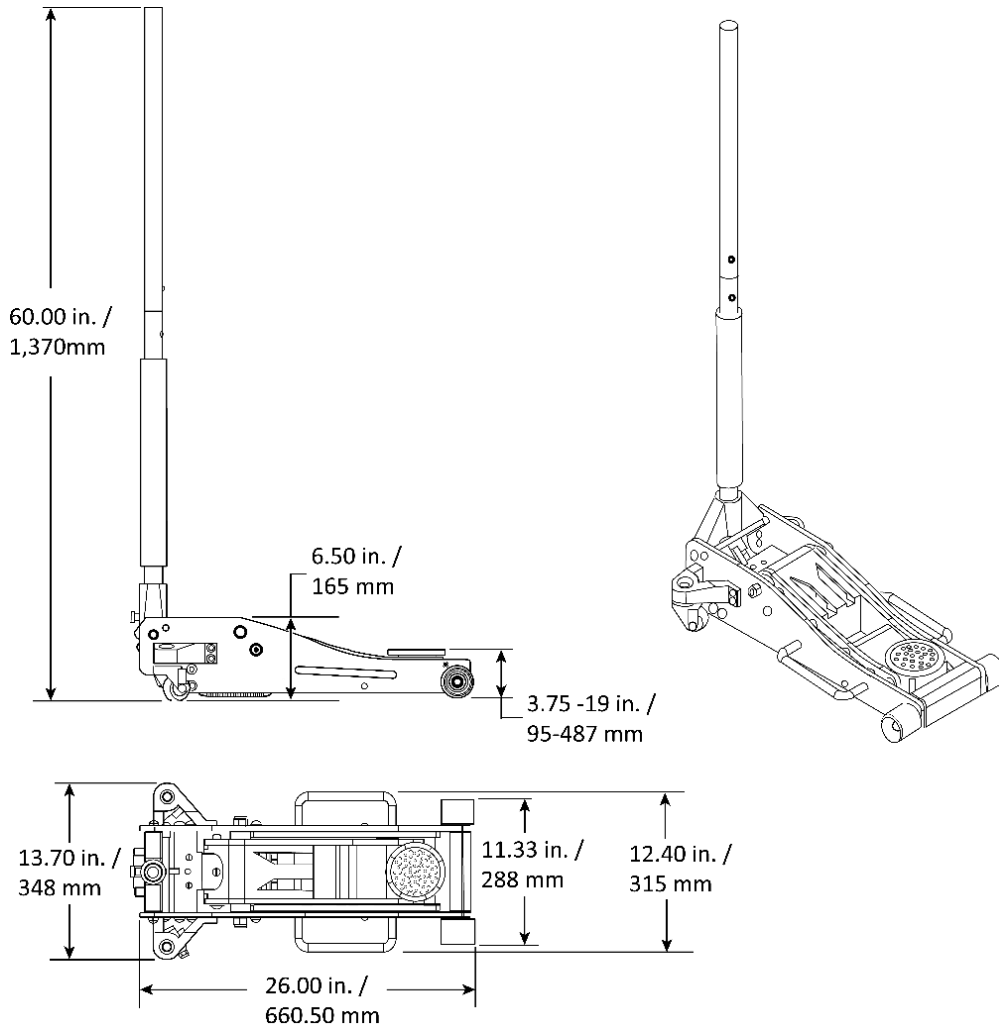
**⚠ DANGER** Be very careful when setting up, operating, maintaining, or repairing this equipment; failure to do so could result in property damage, product damage, injury, or (in very rare cases) death. Make sure only authorized personnel operate this equipment. All repairs must be performed by an authorized technician. Make sure to read and follow the instructions on the labels on the unit.

**Read this manual carefully before using your Floor Jack.** Do not use the product until you are familiar with all operating instructions and warnings. Do not allow anyone else to use the product until they are also familiar with all operating instructions and warnings.

- The product is an Aluminum Racing Floor Jack. Use it only for its intended purpose.
- The Floor Jack *cannot* be used to hold a load on a *permanent* basis. Use the Floor Jack solely to raise or lower a Vehicle. Before lifting, chock the wheels that will be remaining on the ground. Once raised, immediately place at least two suitable Jack Stands under the manufacturer's recommended lifting points.
- Place the Floor Jack saddle **ONLY** under manufacturer's recommended lifting points.
- No person should work or place themselves under a vehicle that is supported only by a hydraulic Floor Jack. Always use Jack Stands to support the vehicle.
- The Floor Jack should only be operated by authorized and experienced personnel. Keep children and untrained personnel away from the product.
- When using the product, wear appropriate work clothes, steel-toed boots, leather gloves, and ANSI-approved safety goggles.
- **Do not make any modifications to the Floor Jack; this voids your warranty.**

- Make sure all operators read and understand the *Operation Manual*. Keep the manual near the device at all times.
- Make a visual inspection of the product before using it. Do not use if you find any missing or damaged parts or leaking oil. Instead, take the unit out of service, contact an authorized repair facility, your distributor, or Ranger Products at **(800) 253-2363** option 7, then 4.

## Specifications



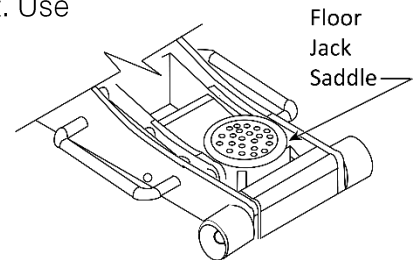
Maximum Lifting Capacity	4,000 lbs. / 1,814.4 kg
Minimum Saddle Height	3.75 in. / 95 mm
Maximum Saddle Lift Height	19 in. / 487 mm
Overall Length	26 in. / 660.5 mm
Overall Rear Width	12.4 in. / 315 mm
Overall Front Width	11.33 in. / 288 mm
Overall Width at Side Handles	12.4 in. / 315 mm
Floor Jack Body Rear Height	6.5 in. / 165 mm
Weight	56 lbs. / 25.4 kg

## Assembly Instructions

1. Connect both Upper (31) and Lower Handles (32) together by positioning and latching, the spring-loaded button to the open hole found on each handle end. Now, fully insert assembled handle's grooved end into the Floor Jack's Handle Socket (29) and tighten Bolt at the base to secure. Install protective Handle Sleeve over Jack handle (30).

**Note** - Callout Numbers (X), see Parts List & Assembly Diagram.

2. With the handle turned fully counterclockwise, pump the Handle rapidly 6-8 full strokes without a load on the Jack. This will expel air that may have entered oil passages during transit. Use Conventional Hydraulic Jack Oil, if needed.
3. Close release valve by twisting the Floor Jack Handle clockwise.



## Operation

- When lifting, keep the Floor Jack saddle away from contacting oil pans, hoses, exhaust, fuel tanks, driveshafts, wire harnesses, brake, and fuel lines, etc.
- Completely close all vehicle doors before lifting any vehicle.
- Place the vehicle in Park or First Gear (manual transmission). Fully apply the parking brake.
- Chock wheels that are remaining on the ground.
- Do not raise vehicles on surfaces that are not level.
- Do not use this Floor Jack on soft surfaces such as dirt, wood, gravel, sand, lawns, etc., and/or any wet or icy surface.
- If the Vehicle is not stable when raised, use the Floor Jack to carefully lower the vehicle back down to the ground.
- Keep the Floor Jack clean, dry, and secured in an indoor garage, shop, or other area away from harsh elements and unauthorized use.

**⚠ DANGER** Make sure the Vehicle's actual weight does not exceed the lifting capacity (4,000 lbs. / 1814.4 kg) of the **FLOOR JACK**, the vehicle's transmission is in Park (First gear, Manual transmission), the parking brake is fully applied, and tires still in contact with the ground, are blocked (chocked) from rolling toward prevailing slopes or angles. Make sure the Vehicle will be evenly placed on the Floor Jack and at least two Jack Stands are placed and securely loaded under supporting frame structures before anyone enters any area under the raised vehicle. If you ignore these instructions, you could damage the Vehicle, the Floor Jack, and anyone near the Vehicle could be injured or killed. Falling vehicles do not give any warnings.

**⚠ CAUTION** Before attempting to raise any vehicle, check the vehicle's service manual to locate the recommended lifting points

**⚠ CAUTION** The best place to raise a vehicle using a Floor Jack and then supporting with Jack Stands, is on Level Concrete away from common areas, pedestrians, and children. Asphalt surfaces are not recommended in lieu of concrete as Floor Jacks and particularly Jack Stands can "sink" into asphalt; especially during warmer weather.

**⚠ CAUTION** Keep hands and/or feet away from the hinge mechanism of the Floor Jack.

**⚠ DANGER** DO NOT CRAWL UNDER ANY VEHICLE IF NO JACK STANDS ARE PROPERLY IN PLACE

## To Raise a Vehicle:

1. Move the Vehicle to a safe location that provides ample access to raise a vehicle and perform vehicle work.
  2. Put the Vehicle in Park (or in First gear, if a manual transmission), set the parking brake, **chock the wheels** that will remain on the ground at the fore and aft positions so they cannot roll.
  3. Close the Floor Jack's release valve tightly by twisting the handle clockwise. DO NOT OVERTIGHTEN.
  4. Position the Jack under the vehicle so that the lifting saddle will raise to contact the manufacturer's
  5. Recommended lifting points (frame or chassis structure) firmly, the load will be centered so it cannot slip, and the vehicle will not tip.
  6. **Pump the Jack handle until the saddle approaches the lift point.** Once again, check to see that saddle is correctly positioned. Continue pumping the Jack handle to raise the vehicle to the desired height, while monitoring that it is lifting without the vehicle leaning. If vehicle is leaning, lower the vehicle back to the ground and reposition Jack saddle.
  7. Once the Floor Jack has raised the vehicle adequately, place and adjust the Jack Stands under the vehicle manufacturer's recommended lift areas to provide stable support for the resting Vehicle.
  8. Once Jack Stands are safely positioned, open the release valve VERY SLOWLY (by twisting the Floor Jack Handle counterclockwise) to **carefully lower the vehicle onto the Jack Stands.**
  9. Once the vehicle is supported, check all Jack Stand bases to ensure their bottom corners rest in contact with the ground. Rock vehicle's bumper (on suspended side) to **ensure vehicle is stable.**
- 

## To Lower Vehicle:

1. Make sure the release valve is tightly closed (twist the Handle clockwise).
2. Position the Jack under the vehicle so that the lifting saddle will raise to contact the manufacturer's recommended lifting points (frame or chassis structure) firmly, the load will be centered so it cannot slip, and the vehicle will not tip.
3. Pump the Floor Jack handle until the vehicle is raised enough to safely remove the Jack Stands.
4. Remove Jack Stands completely away from vehicle.
5. Slowly turn the Jack handle counterclockwise to allow the vehicle to lower to the ground.
6. Roll Floor Jack away from vehicle to a suitable location.

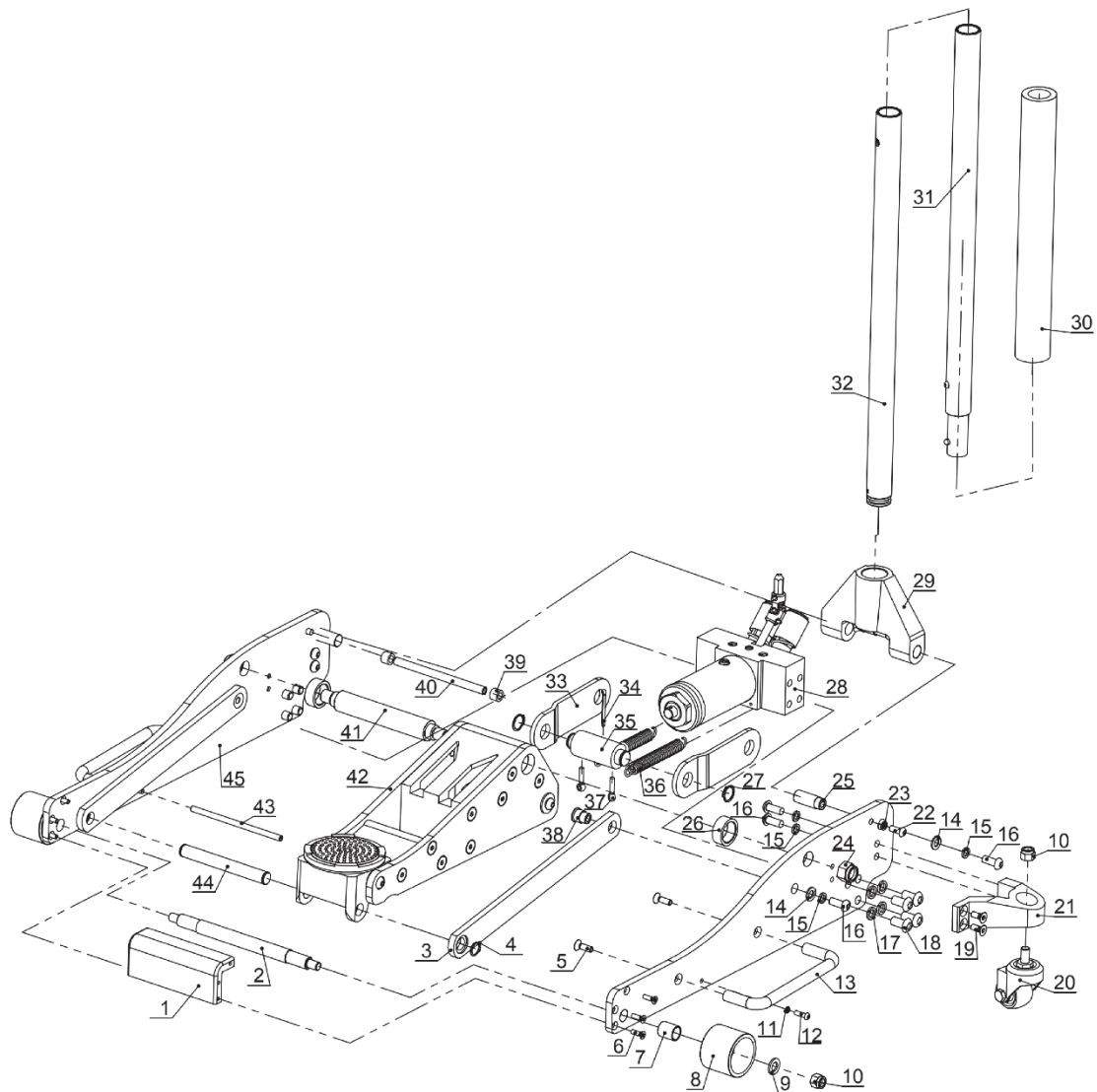
## Maintenance

When adding or replacing hydraulic fluid, always use conventional hydraulic Jack oil. DO NOT use brake fluid, detergent motor oil, or other fluid. Improper fluids can cause internal damage or unsafe operation. If needed, add conventional hydraulic Jack oil with the Floor Jack fully lowered, on level ground, and the power unit's filler screw removed (rear of Floor Jack). Hydraulic Jack oil should be filled to the bottom level of the filler screw hole. All pivot points and wheels require spray lubricant periodically. Also remove handle and spray the lower end of handle where it rotates in the handle socket and all lift arm linkage.

### **⚠ DANGER**

**DO NOT CRAWL UNDER THE VEHICLE WHILE LIFTING OR REMOVING THE JACK STANDS!** Once Jack Stands are removed, check that no one is underneath the vehicle and open the release valve very slowly by turning Floor Jack handle to lower the vehicle (twist counterclockwise). Lower Floor Jack completely so that the vehicle is securely resting on the ground and that the Floor Jack no longer makes contact with vehicle.

# 4000ALX Parts List & Assembly Diagram



No.	Description	Qty.
1	Front Axle Cover	1
2	Axle	1
3	Linkage Rod	2
4	Retaining Ring	2
5	Screw	4
6	Screw	6
7	Spacer Sleeve	2
8	Front Wheel	2
9	Washer	2
10	Nut	4
11	Spring Washer	2
12	Screw	2
13	Handle Bar	2
14	Washer	4
15	Spring Washer	8

No.	Description	Qty.
16	Screw	8
17	Spring Washer	8
18	Screw	8
19	Screw	4
20	Rear Caster	2
21	Rear Caster Saddle	2
22	Screw	2
23	Spring Washer	2
24	Nut	2
25	Handle Socket Axle	2
26	Spacer Sleeve	2
27	Retaining Ring	2
28	Power Unit	1
29	Handle Socket Assembly	1
30	Handle Sleeve	1

No.	Description	Qty.
31	Handle Upper	1
32	Handle Lower	1
33	Pull Rod	2
34	Elastic Pin	1
35	Block Linkage	1
36	Spring	2
37	Eye Bolt	2
38	Connecting Rod Pin	2
39	Rubber Sleeve	2
40	Handle Socket Rod	1
41	Shaft	1
42	Lift Arm	1
43	Limit Axle	1
44	Saddle Base Axle	1
45	Side Plate	2





1645 Lemonwood Dr.  
Santa Paula, CA 93060 USA  
[rangerproducts.com](http://rangerproducts.com)