



PLEASE READ THE ENTIRE CONTENTS OF THIS INSTRUCTIONS SHEET PRIOR TO INSTALLATION AND OPERATION. FAILURE TO USE THIS EQUIPMENT AS DIRECTED MAY CAUSE INJURY OR DEATH.



Revision A, 03-21-2016

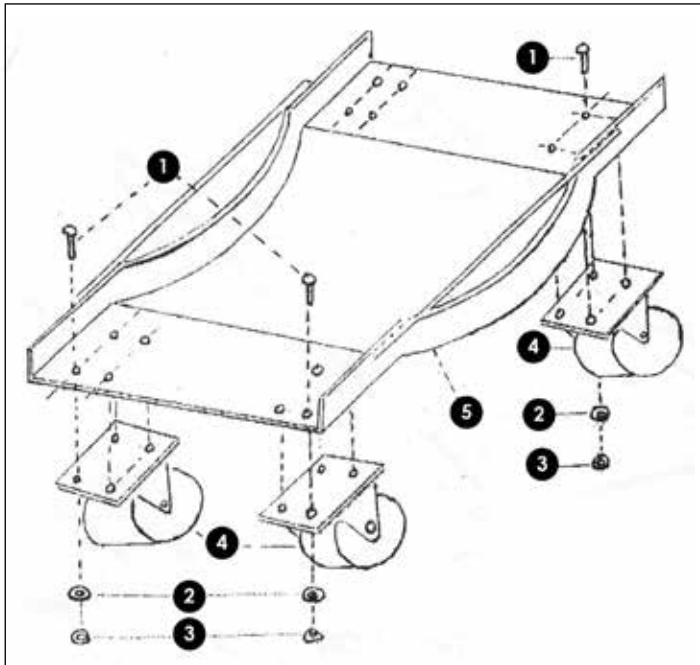
P/N 5900053

RCD-1TD LOW PROFILE AUTOMOTIVE CARTS SET OF 2



Capacity: 1,000 lbs /454 Kg. (each)

Dimensions: 15" x 24" / 381 mm x 610 mm



No.	DESCRIPTION	QTY.
1	Bolt M8x16	16
2	Washer $\phi 8$	16
3	Nut (M8)	16
4	Cast Wheel Assembly	4
5	Frame	1

ASSEMBLY INSTRUCTIONS

1. Before assembling, please take a moment to lay parts out and familiarize yourself with the drawing and parts list.
2. Screw on the four pc. cast wheel assembly with bolt (M8x16), nut (M8) and washer as drawing shows.
3. When assembly is complete, your dolly will be used to moving your car into and of tight spaces safely. Make sure each screw is tight. **DO NOT OVERLOAD.**

SAFETY INFORMATION

1. Do not exceed rated capacity. Use only on hard level surface.
2. Before moving a load, assure that the load is centered and secured with a load restraint device.
3. No alterations should be made to this product.
4. Keep clear of load's path while placing on and removing from dollies, and while moving.
5. Use as intended only. Do not use for aircraft purposes. Use only in pairs.
6. Use two dollies to support the front or rear end of the vehicle. Use four dollies (two pairs) to support entire vehicle.
7. Use wheel chocks when raising front of vehicle for placement onto dollies.
8. This product is not a toy. Do not allow children to play with or near this item.

SHIPPING DAMAGE CLAIMS: WHEN THIS EQUIPMENT IS SHIPPED, TITLE PASSES TO THE PURCHASER UPON RECEIPT FROM THE CARRIER. CONSEQUENTLY, CLAIMS FOR THE MATERIAL DAMAGED IN SHIPMENT MUST BE MADE BY THE PURCHASER AGAINST THE TRANSPORTATION COMPANY AT THE TIME SHIPMENT IS RECEIVED. **PRODUCT WARRANTY:** FOR INFORMATION GO TO: WWW.RANGERPRODUCTS.COM/WARRANTY



1645 Lemonwood Dr.
Santa Paula, CA. 93060, USA
Tel: 1-805-933-9970
Toll Free: 1-800-253-2363
Fax: 1-805-933-9160
www.rangerproducts.com