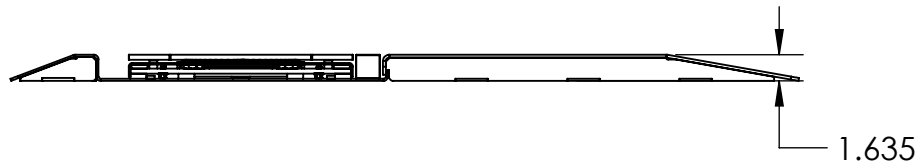
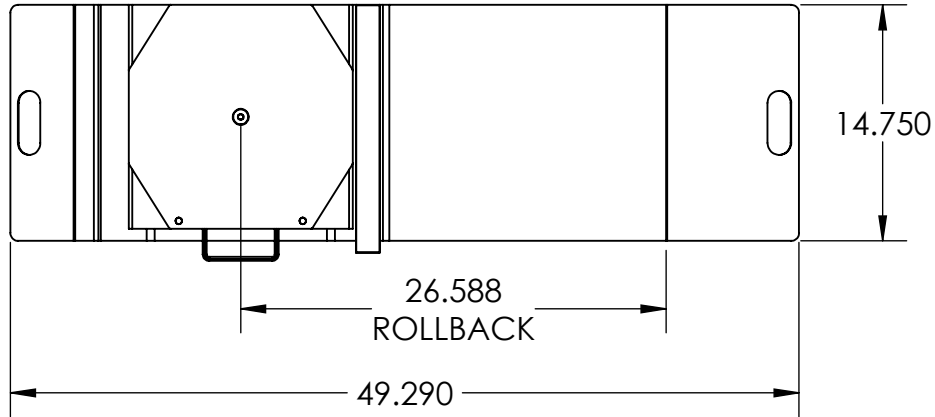
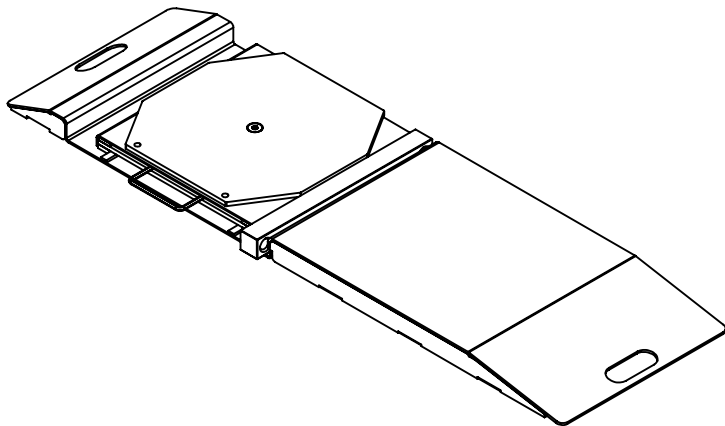
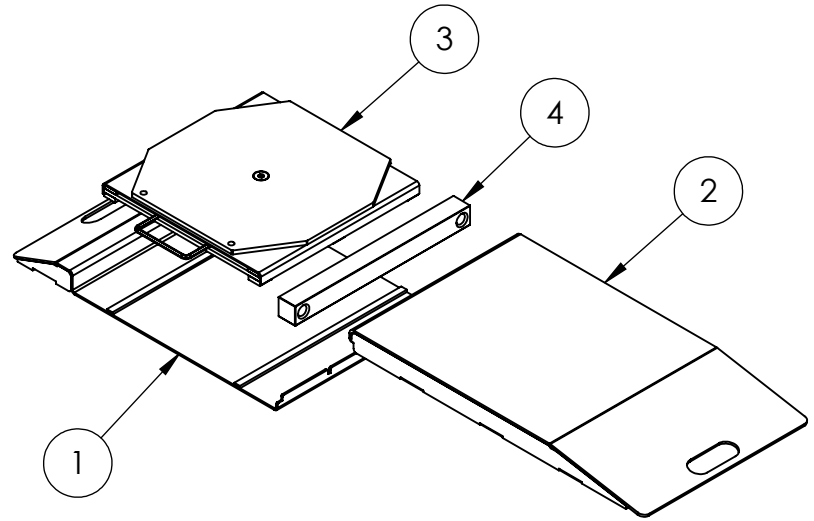



ITEM NO.	PART NUMBER	DESCRIPTION	QTY.
1	CAS-01	CAS POCKET	4
2	CAS-02	CAS RAMP	4
3	25-140-B	MILD STEEL HANDLE PLATE [BLACK]	1
4	1471-8	ROLL BACK BAR, PLASTIC	4



ONLY 1/4 OF KIT SHOWN



UNLESS OTHERWISE SPECIFIED:		NAME	DATE	
DIMENSIONS ARE IN INCHES TOLERANCES: FRACTIONAL $\pm .03"$ ANGULAR: MACH ± 1 BEND $\pm 1^\circ$ TWO PLACE DECIMAL $\pm .01$ THREE PLACE DECIMAL $\pm .005$		DRAWN	CSG 06/26/19	
INTERPRET GEOMETRIC TOLERANCING PER: ANSI Y14.5		CHECKED		TITLE: MODULAR COLLISION ALIGNMENT SYSTEM
MATERIAL ASSEMBLY		ENG APPR.		
FINISH -		MFG APPR.		SIZE DWG. NO. REV A CAS-1 -
DO NOT SCALE DRAWING		Q.A.		
		PROPRIETARY AND CONFIDENTIAL THE INFORMATION CONTAINED IN THIS DRAWING IS THE SOLE PROPERTY OF QSP. ANY REPRODUCTION IN PART OR AS A WHOLE WITHOUT THE WRITTEN PERMISSION OF QSP IS PROHIBITED.		SCALE: 1:12 WEIGHT: 91.34 SHEET 1 OF 1