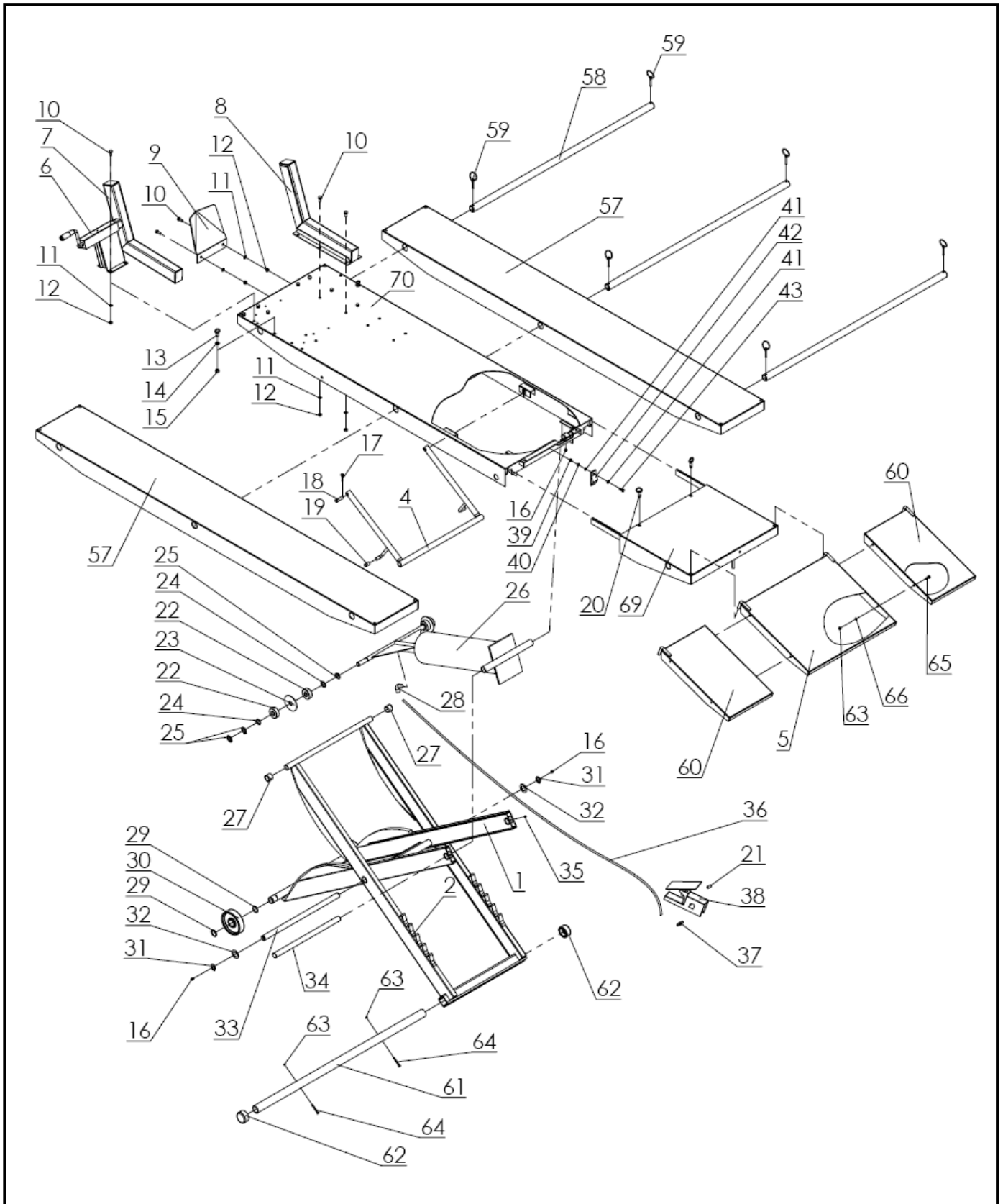
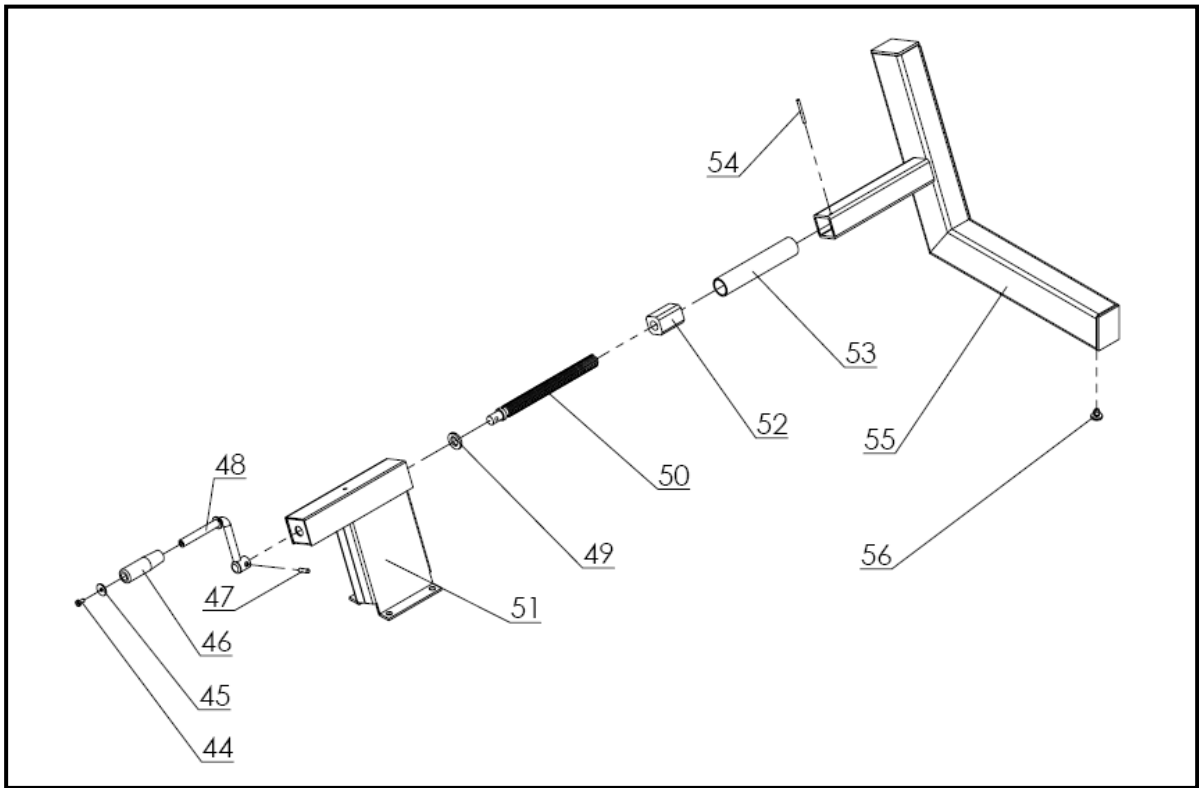


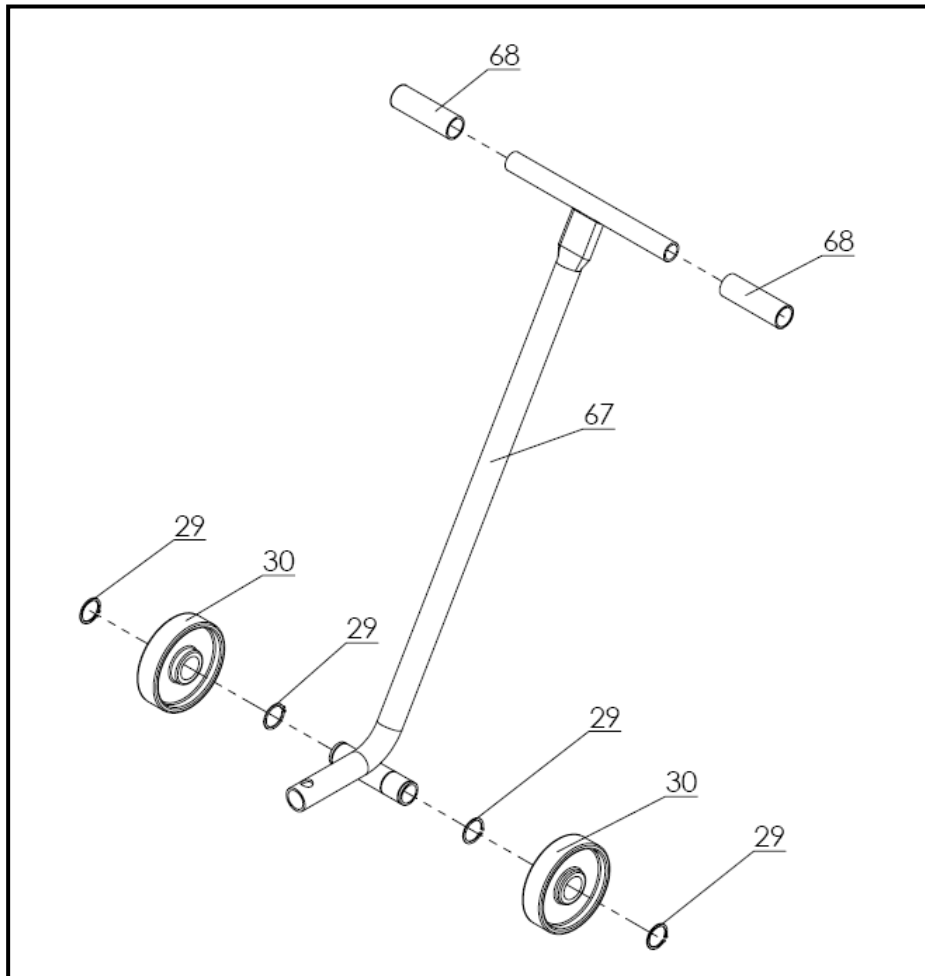
MOTORCYCLE LIFT – MASTER ILLUSTRATED PARTS LIST – FIGURE # 1
(shown with XLT – Kit)



**MOTORCYCLE DT LIFT – MASTER ILLUSTRATED PARTS LIST – FIGURE # 2
(SHOWN WITH XLT – KIT)**



VISE – ILLUSTRATED PARTS LIST – FIGURE # 3



DOLLY – ILLUSTRATED PARTS LIST – FIGURE # 4

Motorcycle Lift - Parts List

Item #	Part Number	Description	Qty
1	AL-1000	Scissor A - Outside	1
2	AL-2000	Scissor B - Inside	1
3	AL-3000	Lift Table – Motorcycle Lift (only)	1
4	AL-4000	Safety Bar	1
5	AL-5202	Center, Approach Ramp B	1
6	AL-5400	Vise Clamp Handle - Assy.	1
7	AL-5302	Vise, Moving Jaw - Assy.	1
8	AL-5301	Vise, Stationary Jaw	1
9	AL-5604	Wheel Stop	1
10	B10-8×20	Bolt M8×20	12
11	B40-8	Lock Washer φ8	12
12	B30-8	Nut M8	12
13	B27-10×20	“Tie Down” Eye Bolt M10×20	2
14	B41-10	Flat Washer φ10	2
15	B30-10	Nut M10	2
16	B85-6	Oil Zerk M6	4
17	B52-3×30	Cotter Pin φ3×30	2
18	B53-12×45	Pin(B) φ12×45	2
19	AL-4004	Plastic Grip / Safety Release	2
21	YG09-9108	End Retainer	1
22	AL-6006	Bearing / Cylinder	4
23	AL-6004	Washer	2
24	B41-18	Flat Washer φ18	4
25	B60-19	C-Clip φ19	6
26	YG09-9100	Air Cylinder	1
27	AL-6007	Bearing / Scissor	2
28	YG09-9106	Fitting	1
29	B60-32	C-Clip φ32	4
30	AL-5501	Wheel	2
31	B60-25	C-Clip φ25	2
32	AL-6005	Washer	2
33	AL-6003	Shaft / Scissor Pivot	1
34	AL-6002	Shaft / Cylinder Pivot	1
35	B21-6×8	Set Screw M6×8	2
36	YG09-9301	Air Hose	1
37	YG09-9107	Fitting	1
38	YG09-9300	Foot-Operated Valve	1

39	B30-5	Nut M5	1
40	B40-5	Lock Washer ϕ 5	1
41	B41-5	Flat Washer ϕ 5	2
42	AL-6001	Safety Bar Holder	1
43	B10-5 \times 16	Bolt M5 \times 16	1
44	B28-6 \times 10	Bolt M6 \times 10	1
45	B42-6	Washer ϕ 6	1
46	AL-5402	Plastic Handle	1
47	B51-6 \times 20	Pin ϕ 6 \times 20	1
48	AL-5420	Handle	1
49	B41-16	Flat Washer ϕ 16	1
50	AL-5401	Screw	1
51	AL-5410	Base, Moving Jaw	1
52	AL-5302C	Nut	1
53	AL-5302B	Sleeve	1
54	B51-4 \times 40	Pin ϕ 4 \times 40	1
55	AL-5302-1	Weldment, Moving Jaw	1
56	AL-5302D	Support Stud	1
61	AL-5602	Stabilizing Tube	1
62	AL-5603	End Cap, Stabilizing Tube	2
63	B30-6	Nut M6	6
64	B10-6 \times 50	Bolt M6 \times 50	2
65	B10-6 \times 16	Bolt M6 \times 16	4
66	B40-6	Lock Washer ϕ 6	4

(Specific Parts) Motorcycle DT (Drop Tail) Model

20	ALG-2010	Removable Pin	2
69	ALG-2000	DT Extension Table / Drop Tail	1
70	ALG-1000	DT Lift Table – Drop Tail	1

(Specific Parts) XLT Model

29	B60-32	C-Clip ϕ 32	4
30	AL-5501	Wheel	2
57	AL-5101	Side Extension	2
58	AL-5601	Extension Panel Tube	3
59	AL-5605	Locking Clip Pins	6
60	AL-5201	XLT Approach Ramp, Side Ext.	2
67	AL-5510	Dolly	1
68	B81-26	Plastic Handle Grip ϕ 26.8 / Dolly	2