

Ergo-Glide™ Reclining Creeper Seat

User Guide

Guide P/N: 5900379 Rev. A - November, 2023

Ergo-Glide Product Description

The Ergo-Glide (5160120) is a *Reclining Creeper Seat* providing comfort, support, and mobility on a stable ergonomic platform. The backrest is supported by a gas spring that allows an angular adjustment through a range of 0° to 70°. The seat angle adjusts in three 10° steps allowing a 30° maximum angle. Six 360° swivel casters allow freedom of movement around the floor while you work.



Copyright. Copyright ©2023 BendPak Inc. All rights reserved. You may make copies of this document if you agree that: you will give full attribution to BendPak Inc., you will not make changes to the content, you do not gain any rights to this content, and you will not use the copies for commercial purpose.

Trademarks. Ergochair and the Ergochair logo, BendPak and the BendPak logo are registered trademarks of BendPak Inc. All other company, product, and service names are used for identification only. All trademarks and registered trademarks mentioned in this Guide are the property of their respective owners.

Limitations. Every effort has been made to ensure complete and accurate instructions are included in this Guide. However, product updates, revisions, and/or changes may have occurred since this Guide was published. BendPak reserves the right to change any information in this Guide without incurring any obligation for equipment previously or subsequently sold. BendPak is not responsible for typographical errors in this Guide. You can always find the latest version of the Assembly and User Guide for your product on the BendPak website.

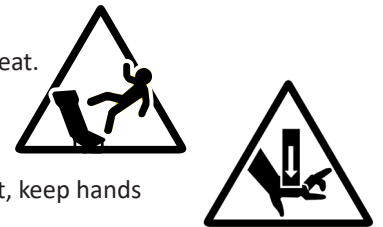
Warranty. The BendPak warranty is more than a commitment to you: it is also a commitment to the value of your new product. Contact your nearest BendPak dealer or visit www.bendpak.com/support/warranty for full warranty details. Go to bendpak.com/support/register-your-product/ and fill out the Online form to register your product (be sure to click Submit).

Safety. Your Ergo-Glide was designed and manufactured with safety in mind. However, your safety also depends on proper training and thoughtful operation. Do not install, operate, maintain, or repair the unit without reading and understanding this User Guide and the labels on the unit; **do not use the Ergo-Glide Reclining Creeper Seat unless you can do so safely!**

Ergo-Glide Safety Information

⚠ WARNING

- **Please read this entire guide prior to use.** Failure to follow the instructions and safety precautions in this guide can result in serious injury. By proceeding with setup and operation, you agree that you fully understand the contents of this guide and assume full responsibility for the use of this product. **Always** inspect the Ergo-Glide for loose or damaged components prior to each use. If a problem exists resolve that problem. If the issue cannot be resolved, cease all use and contact your authorized Ergochair parts provider.
- **Always** be alert and aware of dangers around you while using this equipment.
- **Only** use the Ergo-Glide on hard, flat surfaces. Cracked or broken concrete is unsuitable.
- **Always sit down on the Ergo-Glide gently.** Avoid shock loads caused by jumping or falling onto the seat.
- **Never** stand on the Ergo-Glide or use it for a purpose for which it was not designed.
- **Do not** allow children or untrained personnel to use this product.
- This product is **not** a toy. **Never** use as a skateboard or dolly.
- **Beware of all pinch and crush hazards** when adjusting the seat and backrest position on this product, keep hands and feet clear.
- **Be aware that the Maximum Weight limit for the Ergo-Glide is 600 lbs. / 272 kg.** Do not remove and hold Vehicle components that, when combined with your own weight, exceed this maximum weight rating.
- **Replace warning labels that are damaged or illegible.**
- **Always wear appropriate personal protective equipment when working with tools or vehicles.**
- **Do not** operate your Ergo-Glide if you find maintenance issues or it operates in an abnormal manner, take it out of service, then contact BendPak Technical Support, email support@bendpak.com or call (800) 253-2363 option 7, then 4.



⚠ WARNING

California Proposition 65: This product can expose you to chemicals including styrene and vinyl chloride, which are on the list of over 900 chemicals identified by the State of California to cause cancer, birth defects, or other reproductive harm. Always use this product in accordance with BendPak Ergochair's instructions. For more information, visit www.p65warnings.ca.gov.



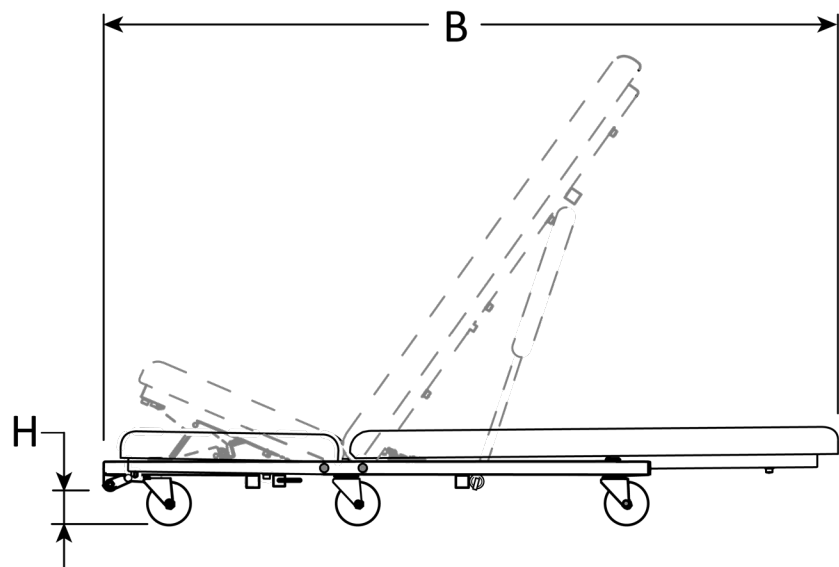
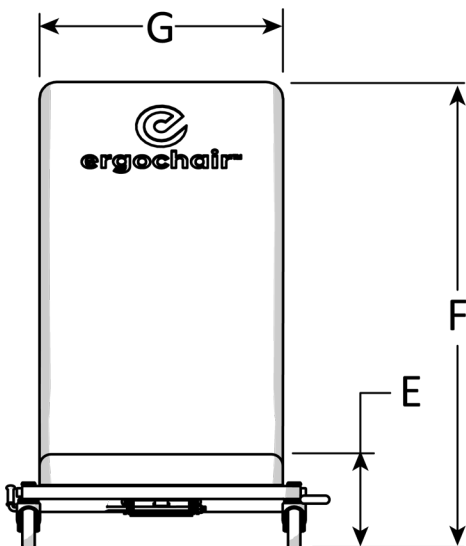
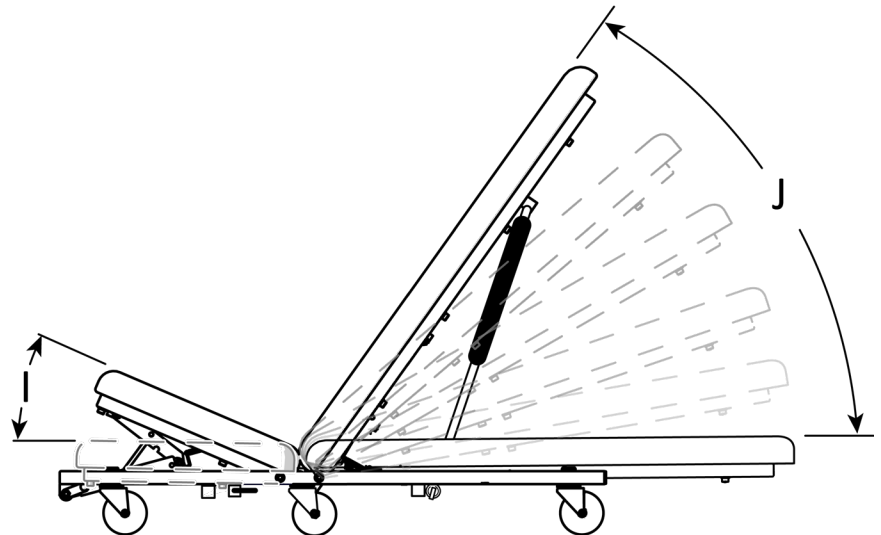
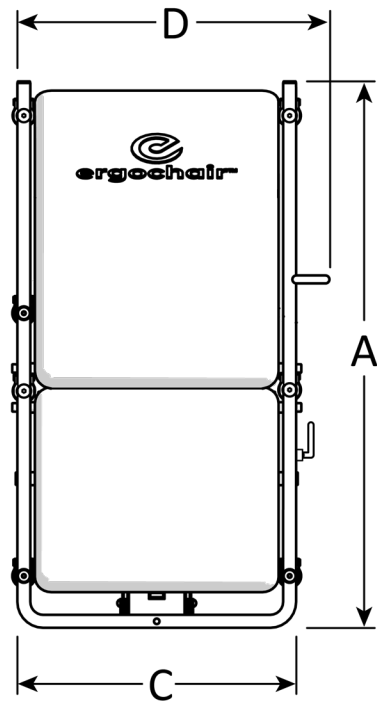
1645 Lemonwood Drive
Santa Paula, CA 93060 USA
(800) 253-2363 - www.bendpak.com

Ergo - Glide Reclining Creeper Specifications:

A	Length (backrest up)	33 in. / 840 mm
B	Length (backrest down)	45.25 in. / 1,150 mm
C	Width (frame)	17 in. / 430 mm
D	Width Overall	20.75 in. / 530 mm
E	Seat Height (down)	6.25 in./161 mm
F	Backrest Height (up)	31.5 in./ 800 mm
G	Seat/Backrest Width	14.75 in. / 376 mm
H	Ground Clearance	≈3 in. / 76 mm
I	Seat Angle Min./Max.	≈0° to 30°
J	Backrest Angle Min./Max.	≈0° to 70°

- **Maximum load:** 600 lbs. / 272 kg.
- **Backrest Angle Adjustment:** Gas spring
- **Seat Angle Adjustment:** Mechanical Lock — 3 positions
- **Casters:** Six 360° Casters, Ø2.5 in x .75 in., sleeve bearings, oil resistant, non-marring rubber wheels.
- **Seat Materials:** Padded Marine Vinyl Backrest and Seat. Marine Vinyl is abrasion, chemical and oil resistant.
- **Frame Materials:** Full powder coated, welded steel square tube.
- **Weight:** 41.25 lbs. / 19 kg.

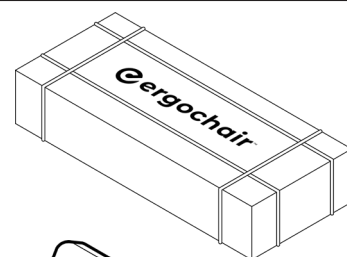
Specifications subject to change without notice.



Ergo-Glide™ Reclining Creeper Seat

Ergo-Glide Setup:

1. Carefully cut and remove the straps securing the shipping box.
2. Lift off the top of the shipping box.
3. Carefully cut away the plastic and straps protecting and securing the Ergo-Glide. Do NOT damage the foam seat or backrest as you remove the protective plastic.
4. Remove the Ergo-Glide from the shipping box and place on the floor.



To Raise the Ergo-Glide Backrest:

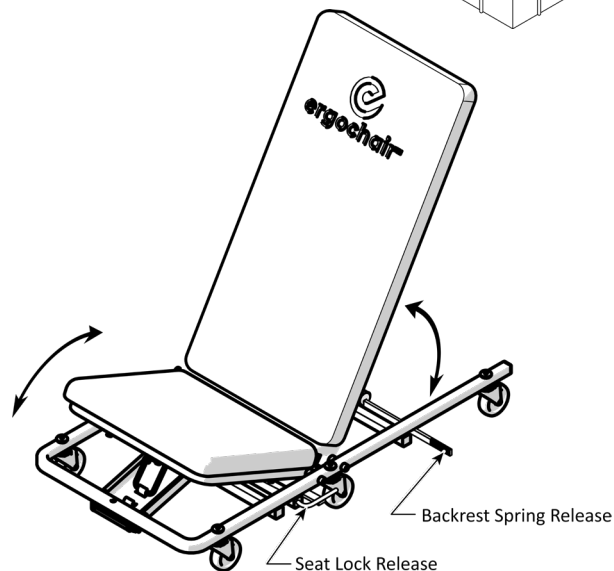
1. Remove weight from the backrest.
2. Pull the backrest spring release handle. The backrest will rise.
3. Release the handle when the backrest reaches the desired angle.

To Lower the Ergo-Glide Backrest:

1. Sit on the seat and lean against the backrest.
2. Pull the backrest spring release handle while pushing on the backrest. The backrest will recline.
3. Release the handle when the backrest reaches the desired angle.

To Raise/Lower the Ergo-Glide Seat:

1. Remove weight from the Ergo-Glide seat.
2. Grasp the front of the seat and at the same time pull the seat lock release handle upwards. Move the seat up or down to the next lock position.
3. There are three seat lock positions. Release the handle when the seat reaches the desired height/angle.
4. Push down on the seat to verify the lock has engaged.

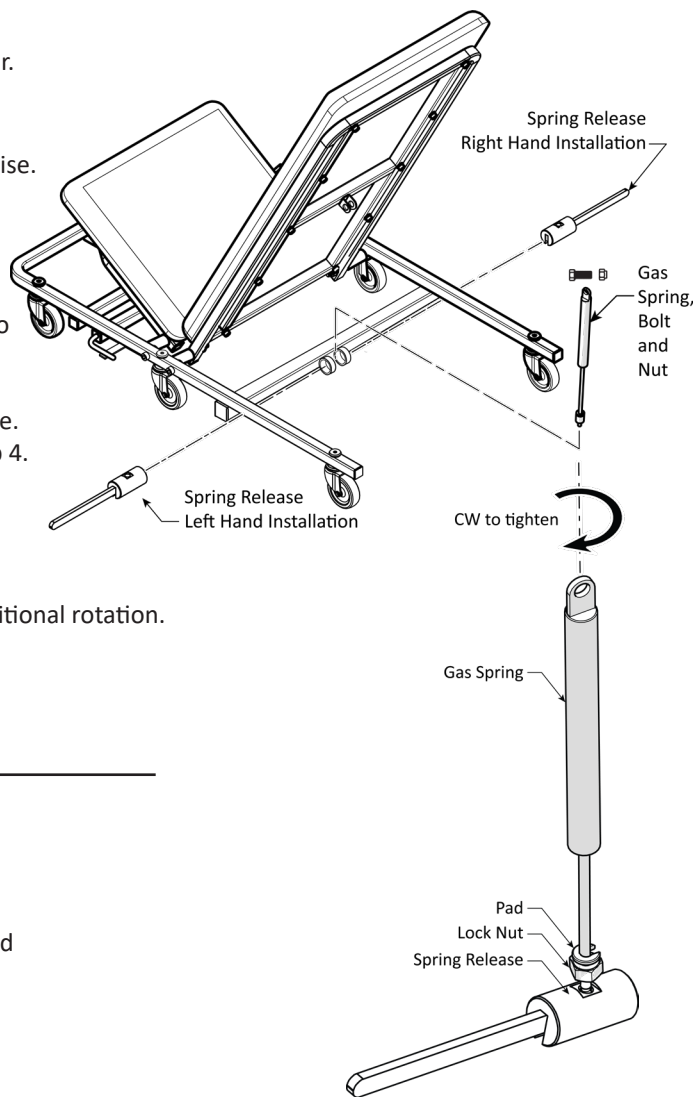


Changing the Spring Release Position

The Spring Release may be installed on either the left or right side of the creeper.

To Reverse the Spring Release Position:

1. Remove weight from the backrest.
2. Pull the backrest spring control release handle forward. The backrest will rise.
3. Release the control when the backrest reaches the desired angle.
4. Remove the bolt and nut securing the spring to the backrest.
5. Loosen the lock nut and remove the gas spring from the spring release control by turning counter clockwise.
6. Remove the spring release control assembly from the frame and move it to the opposite side.
7. Return the gas spring into the spring release control by turning clockwise.
8. Tighten the lock nut down the spring rod until it contacts the spring release.
9. Reattach the spring to the backrest using the bolt and nut removed in step 4.
10. Test to verify the backrest reclines. Sit on the Ergo-Glide and trigger the spring release while pushing against the backrest.



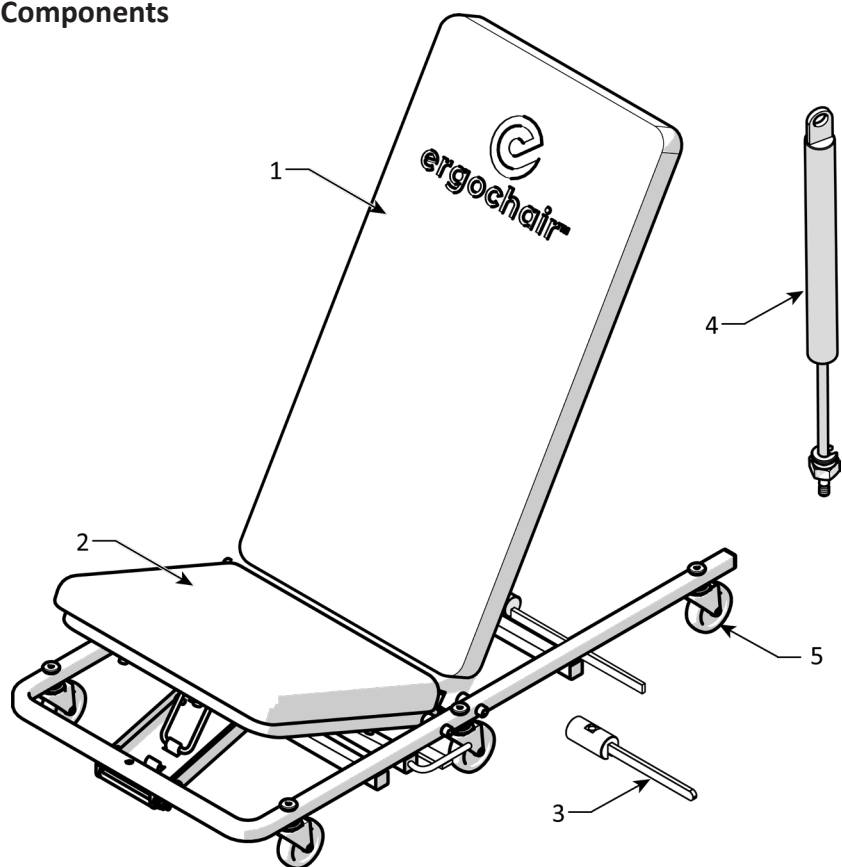
If the backrest does not recline:

- a. Remove the bolt and nut securing the spring to the backrest.
- b. Loosen the lock nut and then attempt to tighten the gas spring an additional rotation.
- c. Tighten the lock nut down onto the spring release.
- d. Attach the gas spring to the backrest using the bolt and nut.
- e. Lean against the backrest while pulling on the spring release.
- f. If the backrest does not recline, contact Ergochair.

To clean the Ergo-Glide:

1. While Marine Vinyl is water, stain and abrasion resistant, it remains a porous material. Wash the vinyl frequently using soap and water.
2. Wipe the vinyl and the frame and then dry after cleaning.
3. If a more powerful cleaner is required, use a small amount of dish soap and a soft bristle brush.
4. Rinse with water and wipe dry, then allow to air dry fully.
5. Do **not** use bleach, vinegar, alcohol or excessively harsh cleaners.
6. Store the Ergo-Glide in a clean, well ventilated, and dry area.

Components



Item No.	Description	Qty.
1	Backrest	1
2	Seat	1
3	Spring Release	1
4	Gas Spring Assembly	1
5	Caster Assembly	6

Maintenance

- Always store in a clean, dry area.
- On a monthly basis, or when required, inspect all welds and the creeper's structural components for cracks or corrosion.
- On a monthly basis, inspect for damaged powder coat and repair to prevent damage from rust.
- On a monthly basis, inspect all fasteners to verify they are secured. Tighten any loose fasteners.
- Lubricate the caster bearings with a spray lubricant as required.

End of Service Life

Once the Ergo-Glide has reached the end of its service life it must be disposed of properly. Local metal recyclers will be able to advise on methods to recycle and reuse the materials, diverting them from landfills. The best option is to contact a metal recycling center to determine if the facility can deconstruct and recover the usable components and metals. Dispose of in accordance with all national, state, and local regulations.

