

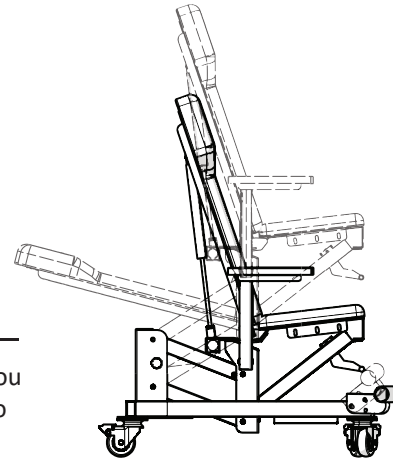
# Ergo-Jet™ Height-Adjustable Workstation

## Assembly and User Guide

Guide P/N: 5900351 Rev. A- June 2023

### Ergo-Jet Product Description

The Ergo-Jet (5160112) is a *fully height-adjustable* workstation providing increased mobility on a stable ergonomic platform as you work. Gas springs support both the backrest and the seat allowing a range of 15° to 60° of backrest adjustment and ≈8 inches of height adjustment on the seat. Adjustable foot and arm rests as well as four 360° swivel casters allow freedom of movement and comfort while working.



**Copyright.** Copyright ©2023 BendPak Inc. All rights reserved. You may make copies of this document if you agree that: you will give full attribution to BendPak Inc., you will not make changes to the content, you do not gain any rights to this content, and you will not use the copies for commercial purpose.

**Trademarks.** Ergochair and the Ergochair logo, BendPak and the BendPak logo are registered trademarks of BendPak Inc. All other company, product, and service names are used for identification only. All trademarks and registered trademarks mentioned in this Manual are the property of their respective owners.

**Limitations.** Every effort has been made to ensure complete and accurate instructions are included in this Guide. However, product updates, revisions, and/or changes may have occurred since this Guide was published. BendPak reserves the right to change any information in this Guide without incurring any obligation for equipment previously or subsequently sold. BendPak is not responsible for typographical errors in this Guide. You can always find the latest version of the Assembly and User Guide for your product on the BendPak website.

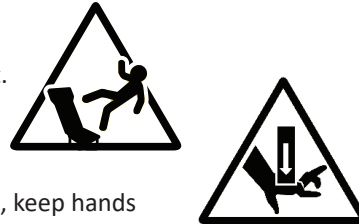
**Warranty.** The BendPak warranty is more than a commitment to you: it is also a commitment to the value of your new product. Contact your nearest BendPak dealer or visit [www.bendpak.com/support/warranty](http://www.bendpak.com/support/warranty) for full warranty details. Go to [bendpak.com/support/register-your-product/](http://bendpak.com/support/register-your-product/) and fill out the online form to register your product (be sure to click Submit).

**Safety.** Your Ergo-Jet was designed and manufactured with safety in mind. However, your safety also depends on proper training and thoughtful operation. Do not install, operate, maintain, or repair the unit without reading and understanding this User Guide and the labels on the unit; **do not use the Ergo-Jet Workstation unless you can do so safely!**

### Ergo-Jet Safety Information



- **Please read this entire guide prior to use.** Failure to follow the instructions and safety precautions in this guide can result in serious injury. By proceeding with setup and operation, you agree that you fully understand the contents of this guide and assume full responsibility for the use of this product. **Always** inspect the Ergo-Jet for loose or damaged components prior to each use. If a problem exists resolve the issue. If the issue cannot be resolved, cease all use and contact your authorized Ergochair parts provider.
- **Always** be alert and aware of dangers around you while using this equipment.
- **Only** use the Ergo-Jet on hard, flat surfaces.
- **Always sit down on the Ergo-Jet gently.** Avoid shock loads caused by jumping or falling onto the seat.
- **Never** stand on the Ergo-Jet or use it for a purpose for which it was not designed.
- **Do not** allow unsupervised children or persons to use this product.
- This product is **not** a toy. **Never** use as a skateboard or dolly.
- **Beware of all pinch and crush hazards** when adjusting the seat and backrest position on this product, keep hands and feet clear.
- **Be aware that the Maximum Weight limit for the Ergo-Jet is 350 lbs. / 159 kg.** Do not remove and hold Vehicle components that, when combined with your own weight, exceed this maximum weight rating.
- **Replace warning labels that are damaged or illegible.**
- **Do not** operate your Ergo-Jet if you find maintenance issues or it operates in an abnormal manner, take it out of service, then contact BendPak Technical Support, email [support@bendpak.com](mailto:support@bendpak.com) or call (800) 253-2363 option 7, then 4.



**California Proposition 65:** This product can expose you to chemicals including styrene and vinyl chloride, which are on the list of over 900 chemicals identified by the State of California to cause cancer, birth defects, or other reproductive harm. Always use this product in accordance with BendPak Ergochair's instructions. For more information, visit [www.p65warnings.ca.gov](http://www.p65warnings.ca.gov).



Copyright ©2023 BendPak Inc. All rights reserved.

1645 Lemonwood Drive  
Santa Paula, CA 93060 USA  
(800) 253-2363 • [www.bendpak.com](http://www.bendpak.com)

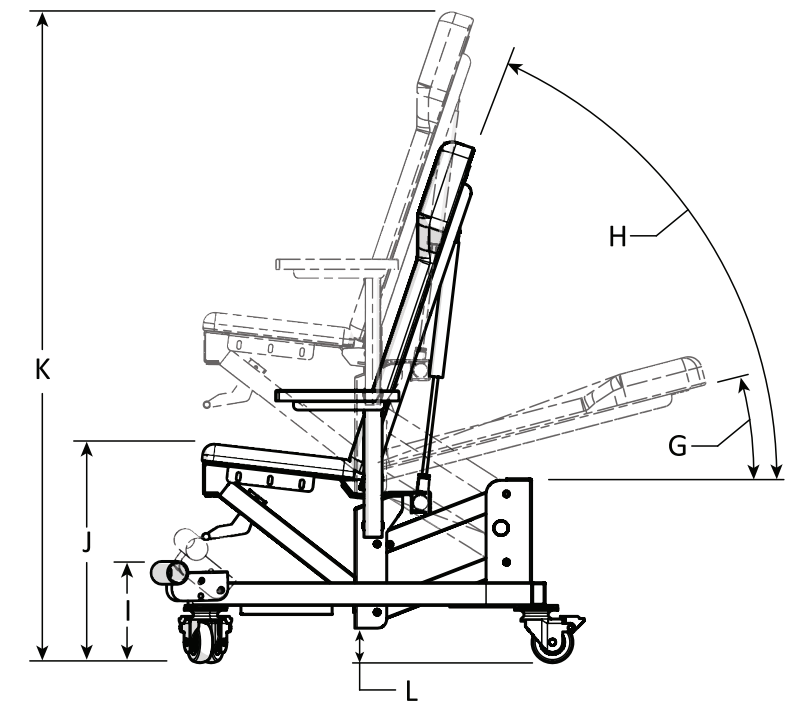
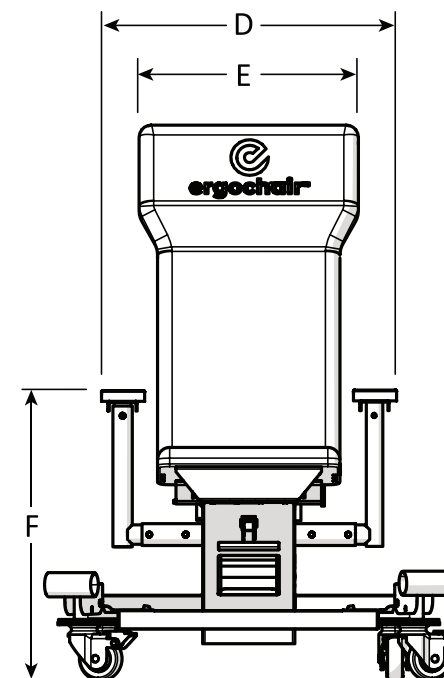
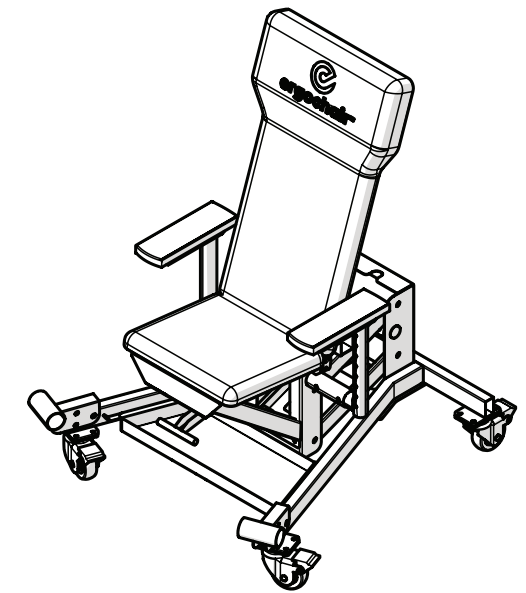
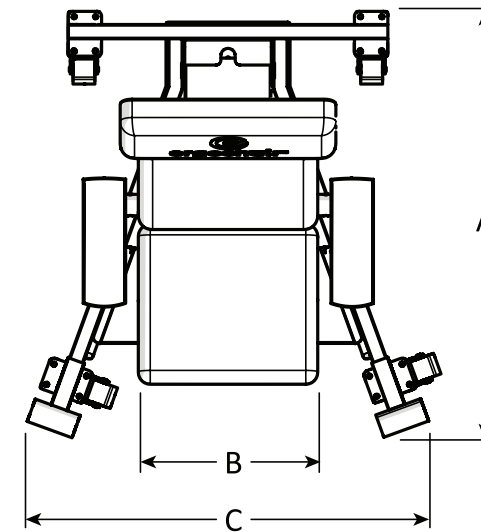
## Assembly and User Guide

P/N : 5900351 - Rev. A - June 2023

### Ergo - Jet Specifications:

A	Length	35.25 in. (backrest up) to 47 in. (backrest down) / 894 mm (backrest up) to 1,194 mm (backrest down)
B	Seat Width	14.8 in. / 376 mm
C	Width	33.5 in. / 850 mm
D	Arm Rest Width	24 in. to 29 in. / 610 mm to 737 mm
E	Headrest Width	17.8 in. / 452 mm
F	Arm Rest Height	27 in. to 36.5 in. / 686 mm to 927 mm
G	Min. Backrest Angle	≈15°
H	Backrest Angle max.	≈60°
I	Foot Rest Height	8.5 in. to 11 in. / 216 to 279 mm
J	Seat Height Range	18.75 to 26.75 in. / 476 to 679 mm
K	Backrest Height	43.75 to 51.75 in. / 1,111 mm to 1,314 mm
L	Ground Clearance	2.5 in. to 4 in. / 63.5 mm to 10 mm

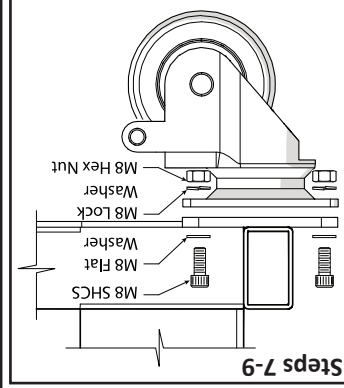
- **Weight:** 158.7 lbs. / 72 kg.
- **Backrest and Seat Adjustment:** Gas Spring
- **Casters:** Four 360° Casters (2 locking), Ø75 mm x 25 mm, sleeve bearings, oil resistant, non-marring rubber wheels
- **Seat Materials:** Padded Marine Vinyl Backrest and Seat. Marine Vinyl is abrasion, chemical and oil resistant
- **Tool/Parts Tray:** Rugged steel tray for tools and parts. 1.25 in. / 32 mm deep.
- **Frame Materials:** Full powder coated, welded tubular steel



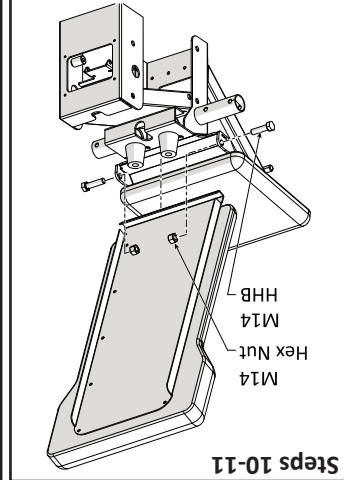
# Ergo-Jet™ Height-Adjustable Workstation

## Ergo-Jet Assembly:

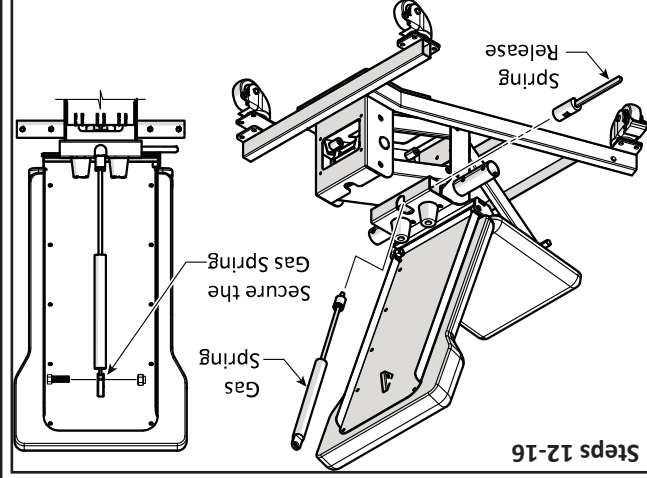
1. Open the box and remove the protective packing foam.
2. Carefully cut the plastic and straps holding the backrest to the seat. Do NOT damage the foam seat or backrest as you cut away the plastic.
3. Set the backrest aside where it will not be lost or damaged.
4. Remove the parts boxes. One box contains (4) casters, and the other box contains the fasteners bag.
5. Leave the seat on the shipping box. This will provide a clean flat space to assemble the Ergo-Jet.
6. Verify all the components are present using the parts list.
7. Turn over the seat and attach the two *locking casters* to the front of the Ergo-Jet seat using four sets of SHCS M8 x 20, flat washers, lock washers, and hex nuts on each caster.
8. Attach the two swivel casters *without locks* to the rear of the Ergo-Jet seat using four sets of SHCS M8 x 20 with flat washers, lock washers, and hex nuts on each caster.
9. Turn the Jet seat onto its casters and lock the front two casters to prevent unintended movement.
10. Retrieve the backrest and two M14 x 50 hex head bolts and M14 nylon nuts.
11. Insert the backrest into the brackets on the back of the seat and secure with the hex head bolts and nylon nuts. *Do not over-tighten*. The backrest must move freely between the pivot points created by the hex head bolts.
12. Retrieve the spring release handle assembly. The spring release handle may be installed on either the right or left-hand side of the seat.
13. Insert the spring release assembly into the square channel under and behind the seat. Push the spring release through the square channel until the threaded opening for the gas spring is visible in the middle slot.
14. Thread the gas spring rod all the way into the spring release mechanism now visible through the middle slot.
15. Thread the lock nut and pad down the spring rod until it contacts the spring release mechanism. Make finger tight.



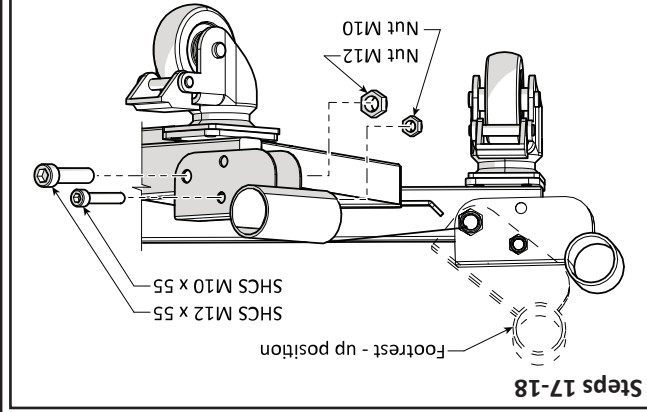
Steps 7-9



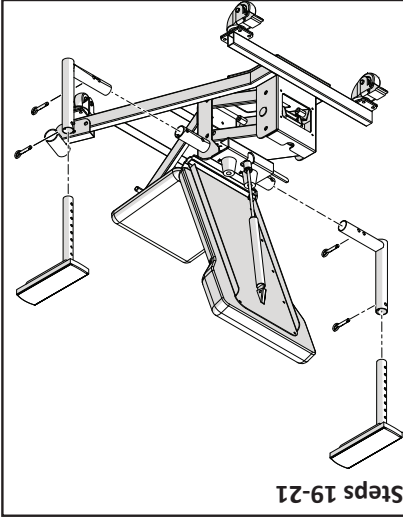
Steps 10-11



Steps 12-16



Steps 17-18

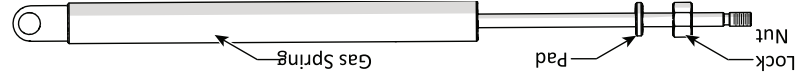


Steps 19-21

- ### To clean the Ergo-Jet:
1. While Marine Vinyl is water, stain and abrasion resistant, it is still a porous material. Wash the vinyl frequently using soap and water.
  2. Wipe the vinyl and the frame and then dry after cleaning.
  3. If a more powerful cleaner is required, use a small amount of dish soap and a soft bristle brush.
  4. Rinse with water and wipe dry, then allow to air dry fully.
  5. Do *not* use bleach, vinegar, alcohol or excessively harsh cleaners.
  6. Store the Ergo-Jet in a clean, well ventilated, and dry area.

15. Retrieve the M8 x 25 hex head bolt and M8 nylon nut.
16. Secure the top of the gas spring to the mounting bracket on the backrest.
17. Retrieve two footrests and two SHCS M10 x 55 with the M10 nylon nuts, and two M12 x 55 with the M12 nylon nuts.
18. Mount the Footrests using the M12 and M10 fasteners. The footrests may be mounted in the flat or up position.
19. Retrieve the two arm rests with lock pins.
20. Insert each arm rest into the arm weldments behind the seat and secure with the lock pin.
21. Adjust the height and position of the arm rests using the lock pins.

12. Retrieve the spring release handle assembly. The spring release handle may be installed on either the right or left-hand side of the seat.
13. Insert the spring release assembly into the square channel under and behind the seat. Push the spring release through the square channel until the threaded opening for the gas spring is visible in the middle slot.
14. Thread the gas spring rod all the way into the spring release mechanism now visible through the middle slot.
15. Thread the lock nut and pad down the spring rod until it contacts the spring release mechanism. Make finger tight.

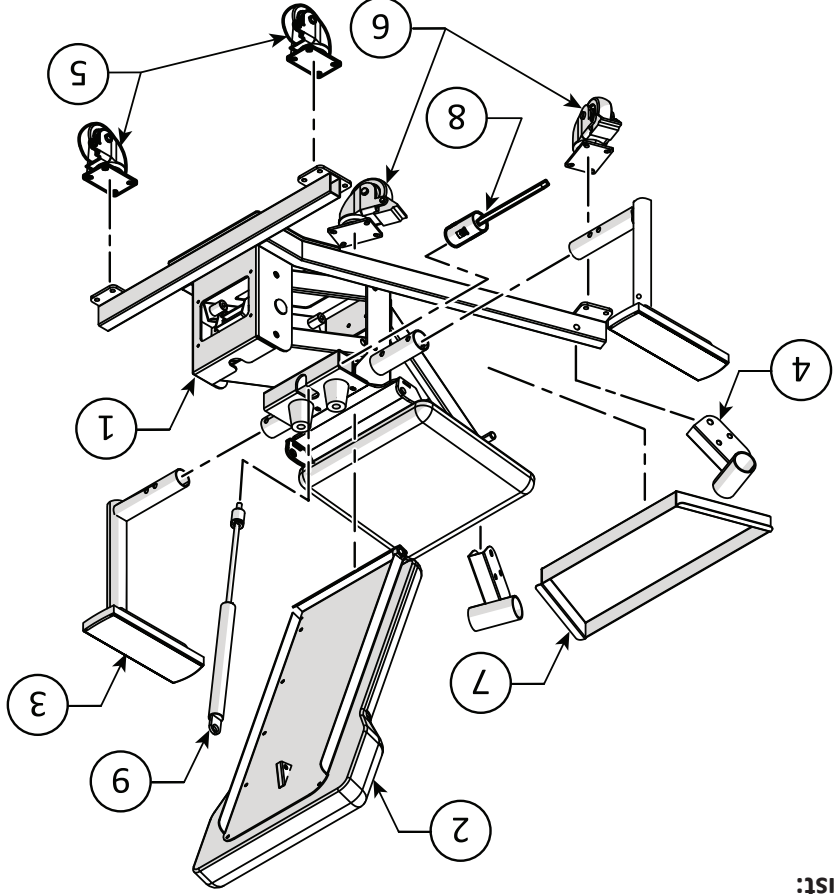


- ### To Lower the Ergo-Jet Backrest:
1. Sit on the seat and lean against the backrest.
  2. Pull the backrest spring release handle forward while pushing on the backrest. The backrest should recline.
  3. Release the handle when the backrest reaches the desired angle.

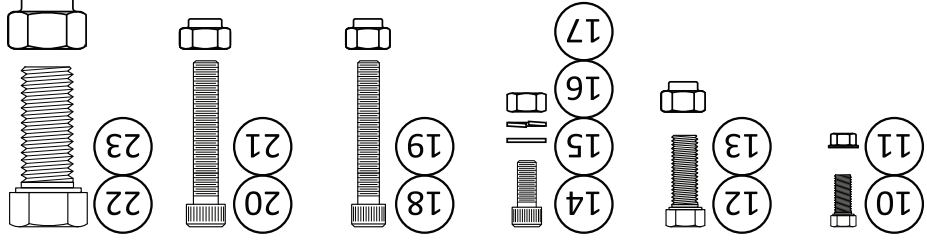
- ### To Raise the Ergo-Jet Backrest:
1. Remove weight from the backrest.
  2. Pull the backrest spring release handle forward. The backrest will rise.
  3. Release the handle when the backrest reaches the desired angle.

- ### To Raise the Ergo-Jet Seat:
1. Remove weight from the Ergo-Jet seat.
  2. Pull the spring release handle upwards. The Jet seat will rise.
  3. Release the handle when the seat reaches the desired height.

### Parts List:



Item No.	Description	Qty.
1	Ergo-Jet Seat Assm.	1
2	Ergo-Jet Backrest	1
3	Ergo-Jet Arm Rest with Lockpins	2
4	Ergo-Jet Foot Rest	2
5	Swivel Casters	2
6	Locking Casters	2
7	Tool Tray	1
8	Backrest Spring Release Assembly	1
9	Gas Spring	2
10	HHB M6 x 12 (Tool Tray)	4
11	Nut M6 (Tool Tray)	4
12	HHB, M8 x 25 with Gas Spring	1
13	Nut, M8 with Gas Spring	1
14	SHCS, M8 x 20 (Casters)	16
15	M8 Washer, Flat (Casters)	16
16	Lock Washer, M8 Spring (Casters)	16
17	Nut, M8 (Casters)	16
18	SHCS M10 x 55 (Foot Rest)	2
19	Nut, M10 Nylon (Foot Rest)	2
20	SHCS M12 x 55 (Foot Rest)	2
21	Nut, M12 Nylon (Foot Rest)	2
22	HHB M14 x 50	2
23	Nut, M14 Nylon	2



**ErgoChair™**

Copyright ©2023 BendPak Inc. All rights reserved.

1645 Lemonwood Drive  
Santa Paula, CA 93060 USA  
(800) 253-2363 • www.bendpak.com

### Ergo-Jet Controls

