



655 Eisenhower Drive
Owatonna, MN 55060 USA
Phone: (507) 455-7000
Tech. Serv.: (800) 533-6127
Fax: (800) 955-8329
Order Entry: (800) 533-6127
Fax: (800) 283-8665
International Sales: (507) 455-7223
Fax: (507) 455-7746
Website: www.otctools.com

Form No. 105665

Operating Instructions
for:

218174

Heavy Duty Flywheel Adapter

Max. Capacity: 200 lbs.

The OTC Flywheel Adapter is used with the OTC Clutch Handler (No. 5015 or 5015A) for the removal and installation of the 14 in. and 15-1/2 in. flywheel assemblies found on many heavy-duty vehicles. Refer also to the operating instructions included with the clutch handler (105657 for the 5015; 545622 for the 5015A).

Safety Precautions



WARNING: To prevent personal injury and/or damage to the equipment,

- Never exceed the rated lifting capacity of the clutch handler.
- Never move the clutch handler with the load any higher off the ground than necessary.
- Move the clutch handler cautiously around corners because it could tip.
- Release pressure slowly.
- Use only those adapters provided by the manufacturer; never modify the unit or adapters.
- Stay clear of the clutch handler's pinch points as you raise and lower the upper lift arm.
- Wear eye protection that meets ANSI Z87.1 and OSHA standards.

Figure 1

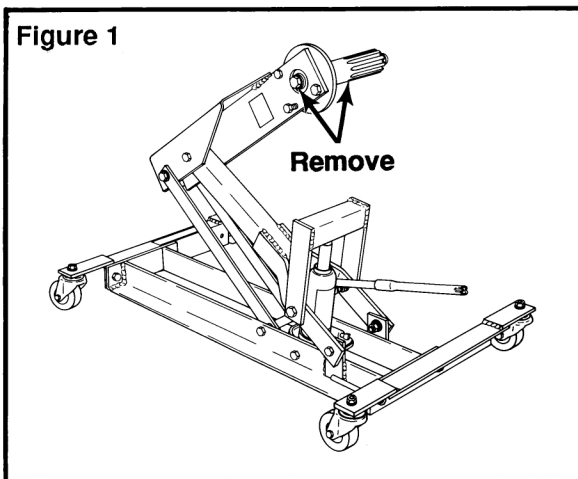
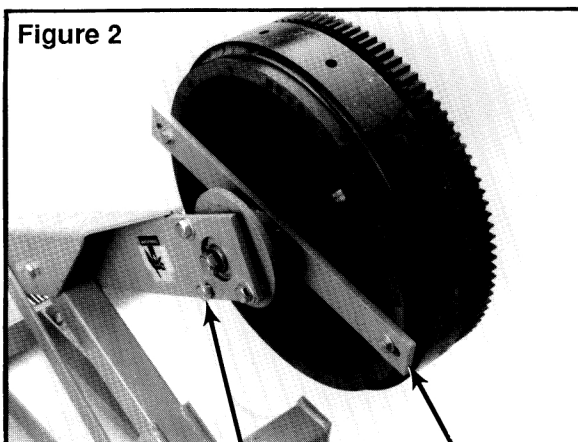


Figure 2



Adjusting
Screw

Attach adapter
to flywheel.

Operating Instructions

1. Remove the bolt and splined shaft from the clutch handler as shown in Figure 1.
2. Bolt the flywheel adapter to the clutch handler using the bolt and washer that were removed in Step 1.
3. If there isn't enough clearance to roll the clutch handler under the vehicle, raise the vehicle's front end. Position the clutch handler under the vehicle.
4. Use the adjusting screw to change the angle of the flywheel adapter so it matches the angle of the flywheel assembly. See Figure 2.
5. Remove the jack handle from the holder and insert it into the jack. Operate the jack to raise the upper lift arm to the correct height.
6. Attach the adapter to the flywheel using the correct bolts and washers. (Two sizes of bolts are supplied with the flywheel adapter: 3/8 x 1" and 7/16 x 1".)
7. Remove the mounting bolts holding the flywheel to the crankshaft.
8. Pull the clutch handler and flywheel assembly away from the crankshaft.
9. Slowly release pressure to lower the flywheel to the floor, keeping clear of the clutch handler's pinch points as it closes.