



ATD-7479 Foldable Engine Stand Owner's Manual



Features:

- All ATD engine stands are constructed from heavy-gauge, welded, square tubular steel and feature extra-long handles with rubber grip for easy rotation and maneuvering
- Heavy-duty worm gear allows for smooth and effortless engine rotation
- Folds for easy storage

Specifications:

- Capacity: 1,250 lbs.
- Overall Height: 42-3/4"
- Base Size: 41-3/4" x 23-5/8"
- Wheel Diameter: 3-1/2"
- Head Plate: 7-1/2"-10-1/2" x 6-1/2"
- Head Plate Thickness: 5/8"
- Meets or exceeds ASME / PASE 2014 standards

SAFETY and GENERAL INFORMATION

Save these instructions. For your safety, read, understand, and follow the information provided with and on this engine stand before using. The owner and/or operator of this equipment should have an understanding of engine stand use and safe operating procedures before attempting to use. The owner and/or operator should be aware that the use and repair of this product may require special skills and knowledge. Instructions and safety information should be conveyed in the operator's native language before use of this engine stand is authorized. If any doubt exists as to the safe and proper use of this product, remove from service immediately.

Inspect before each use. Do not use if broken, bent, cracked, or damaged parts (including labels) are noted. Any engine stand that appears damaged in any way, operates abnormally or is missing parts, should be removed from service immediately. If you suspect that the engine stand was subjected to a shock load (a load dropped suddenly, unexpectedly upon it), immediately discontinue use until it has been checked by a factory authorized service center (contact distributor for list of authorized service centers). It is recommended that an annual inspection be done by qualified personnel. Labels and owner's manuals are available from the manufacturer.

PRODUCT DESCRIPTION

This Engine Stand is designed to safely support a rated capacity engine during the time that the engine is being rebuilt or repaired.



WARNING: Do not use this device for any purpose other than that for which it is expressly intended.

SPECIFICATIONS

Model	Capacity	Base Size (L x W)	Overall Height	Head Plate (L x H x Thickness)	Wheel Diameter
ATD-7479	1250 lbs.	41-3/4" X 23-5/8"	42-3/4"	(7-1/2" - 10-1/2") x 6-1/2" x 5/8"	3-1/2"

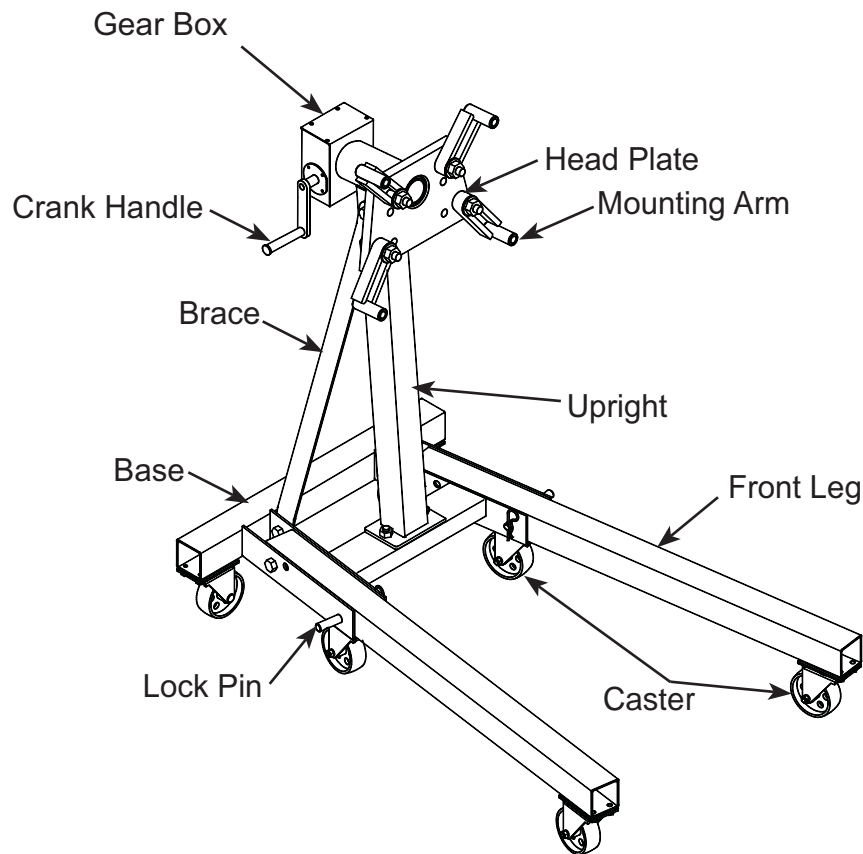


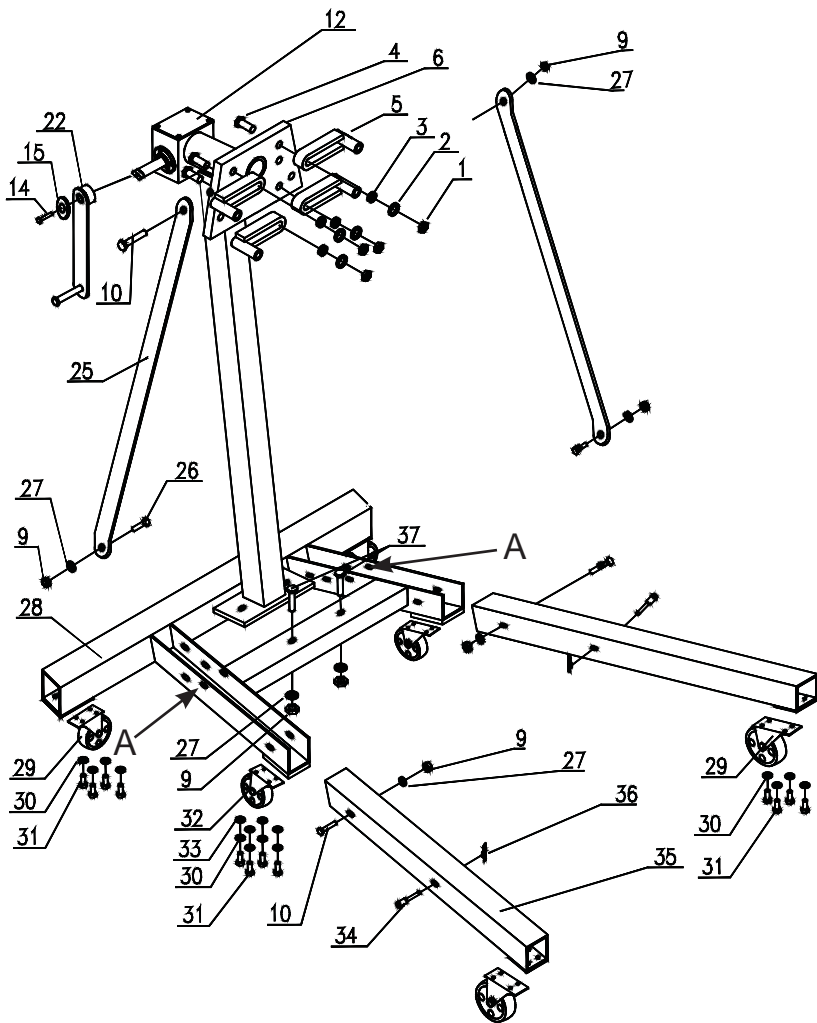
Figure 1 - Model ATD-7479 Components

ASSEMBLY

Model ATD-7479:

1. Attach two 3-1/2" casters (#29) to legs (#35) and two 3-1/2" locking casters (#38) to base (#28) with bolts & washers (#31 & 30)
2. Attach two 3" casters (#32) to base (#28) with bolts, lock washers & flat washers (#31, 30 & 33).
3. Attach upright (#12) to the base (#28) with bolts, washers & nut (#37, 27 & 9). Hand tighten only.
4. Attach braces (#25) to upright (#12) with one bolt, washer & nut (#10, 27 & 9). Attach the other end to the inside of base (#28) with two bolts, washers & nuts (#26, 27 & 9). Tighten all nuts.
5. Attach two legs (#35) to base (#28) with two bolts, washers & nuts (#10, 27 & 9). Insert bolts from outer part of base.
6. Align holes on legs (#35) and base (#28), then slide in lock pins (#34) and secure with cotter pins (#36).
7. Attach four mounting arms (#5) to the head plate (#6) with bolts, flat washers, lock washers & nuts (#4, 3, 2 & 1).
8. Insert handle (#22) to the gear box on upright (#12) and secure with bolt (#14) & washer (#15).

Note: Check all fasteners for tightness, tighten where required.



Size of Hardware Kits			Qty
9	Nut	M12	7
10	Bolt	M12x85	3
14	Bolt	M5x16	1
26	Bolt	M12x25	2
27	Lock Washer	M12	7
30	Lock Washer	M8	24
31	Bolt	M8x18	24
33	Flat Washer	M8	8
37	Bolt	M12x60	2

To fold for storage:

- Remove cotter pin (#36) and lock pin (#34) from both legs (#35).
- Carefully and slowly fold leg (#35) up.
- Slide lock pins (#34) into the front holes of the base (A) and secure with cotter pins (#36).

Figure 2- Assembly Illustration for Model ATD-7479

BEFORE USE

1. Before using this product, read the owner's manual completely and familiarize yourself thoroughly with the product and the hazards associated with its improper use.
2. Verify that the product and the application are compatible.
3. Inspect engine stand before each use. Do not use if there are bent, broken or cracked components (including labels).
4. Ensure that casters/ wheels and adapter plate rotate freely. Check for and tighten any loose assemblies.

WARNING

- **Study, understand, and follow all instructions** provided with/on this device **before use**.
- **Do not** exceed rated capacity.
- Use **only** on a hard, level surface.
- **Lock** head plate rotating mechanism **before applying load**.
- Use **only** hardened, appropriately sized bolts to secure engine to stand.
- Ensure engine is centered and secured to the head plate. Off-center loading may cause the engine to rotate unexpectedly and cause the loaded stand to tip over.
- Unlock and apply rotating mechanism slowly and carefully.
- Do not modify or substitute hardware on this device.
- Only attachments and/ or adapters supplied by the manufacturer should be used.
- Do not use the device for any purpose other than that for which it is intended.
- Model **ATD-7479** **does not** contain a rotating mechanism lock.
Extraordinary care must be taken to ensure load does not rotate when using!
- **Failure to heed** these markings may **result in personal injury and/or property damage**.


WARNING

To avoid **crushing and related injuries**:



NEVER work on, under or around a load supported only by engine crane.
ALWAYS use adequately rated engine stand.

OPERATION

 **WARNING: ALWAYS** verify that the product and the application are compatible. **NEVER** load the engine stand with an engine that extends beyond an imaginary line drawn connecting the centerlines of the front and rear wheel/ caster axles as show in Fig 3.

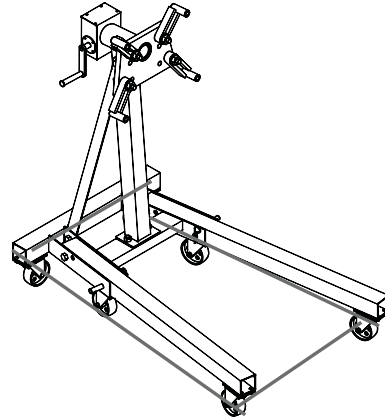



Figure 3 - Peripheral Loading Limit of Engine Stand


 **WARNING: Ensure Lock pins** are installed and secured in front legs (as shown in fig. 2) before loading!

1. Ensure application is compatible with product.
2. Align engine with stand, then adjust mounting arms to match bell housing mounting bolt holes.
3. Carefully secure engine so that load is centered on stand. Secure with high strength stud bolts and flat washers. Ensure threads are compatible with your engine, and use washers on both sides of head plate.
4. For model ATD-7479, slowly and carefully engage the crank handle (see Fig. 1). **Use precaution when rotating as this model does not contain a rotating mechanism lock.**
5. Check to ensure stand is secure before working on or around stand. Never work under loaded stand.

NOTICE: Use **only** the handle provided by the manufacturer. The handle provided with this stand will safely engage and operate the head plate. If the handle is worn, bent, or otherwise damaged, **STOP**, discontinue use of the stand until a factory replacement handle assembly can be acquired.

MAINTENANCE

Periodically inspect each stand. Ensure all parts move freely. Lubricate the casters periodically. To help prevent rust, wipe clean after each use.

 **WARNING: Paint contains lead!**
DO NOT sand or grind painted surface!

Storage

Store the engine stand in clean, dry environment.

REPLACEMENT PARTS

Not all components of the jack are replacement items, but are illustrated as a convenient reference for position in the assembly sequence. When ordering parts, give model number, part number and description. Call your distributor for current pricing:

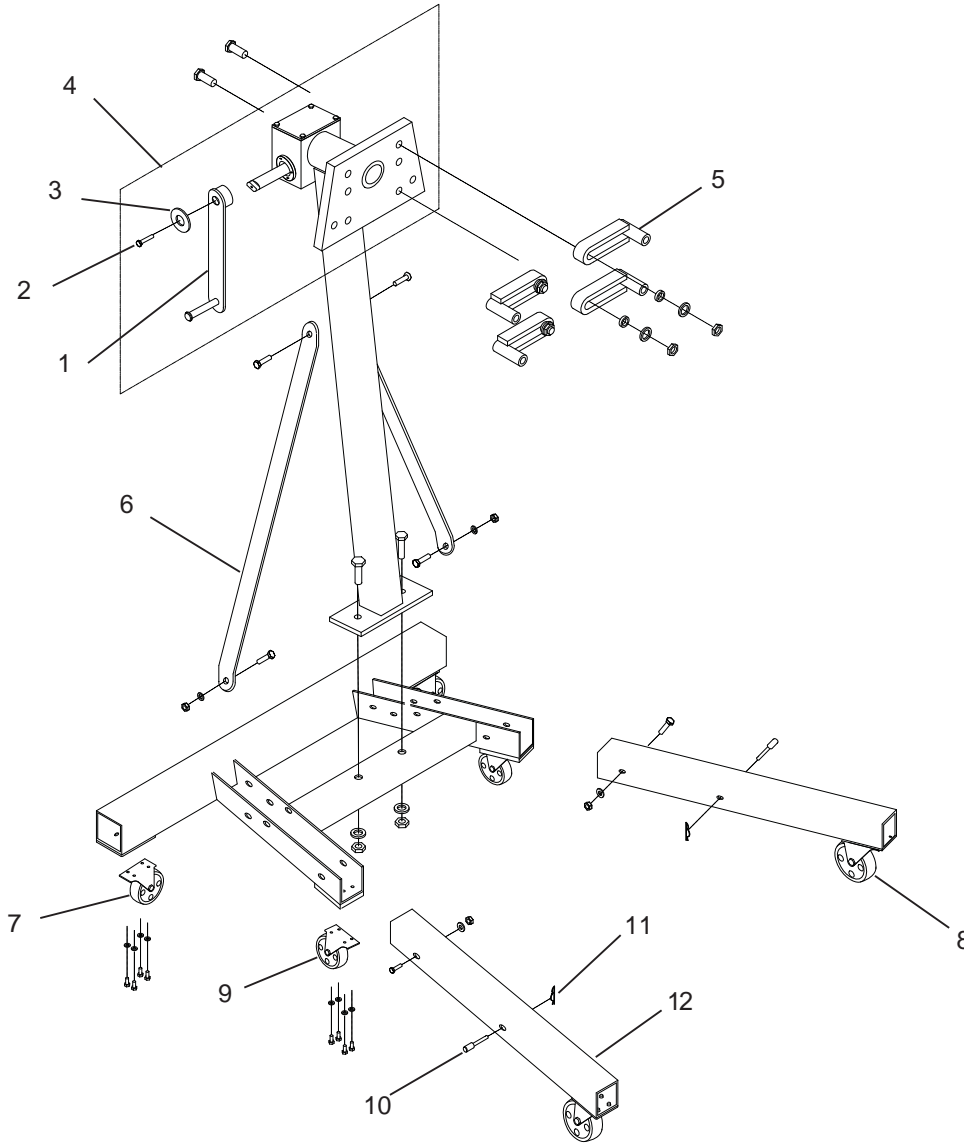


Figure 4 - Replacement Parts Illustration for model ATD-7479

Item	Part#	Description
1	T096-01200-000	Handle Assembly
2	5102-05016-000	Bolt, M5x16
3	T096-01010-000	Washer
4	T096-01000-000	Post & Head Assembly
5	T084-05000-000	Mounting Arm
6	T096-00001-000	Brace
7	T084-30000-000	Locking Caster, 3-1/2"
8	T084-06000-000	Caster, 3-1/2"
9	T093-08000-000	Caster, 3"
10	T095-00002-000	Lock Pin
11	T474-00007-000	Cotter Pin
12	T095-03000-000	Front Leg
-	T096-02000-000	Hardware Kit



THIS WARRANTY AND CONFIRMED RECEIPT(S) SHOULD BE RETAINED BY THE CUSTOMER AT ALL TIMES

PURCHASED FROM: _____

DATE PURCHASED: _____

INVOICE/RECEIPT NUMBER: _____

Your ATD-7479 is warranted for a period of 12 months from the original purchase date.

For a period of one (1) year from your purchase date, ATD Tools, Inc. will repair or replace (at its option) without charge, your ATD product if it was purchased new and the product has failed due to a defect in material or workmanship which you experienced during normal use of the product. This limited warranty is your exclusive remedy.

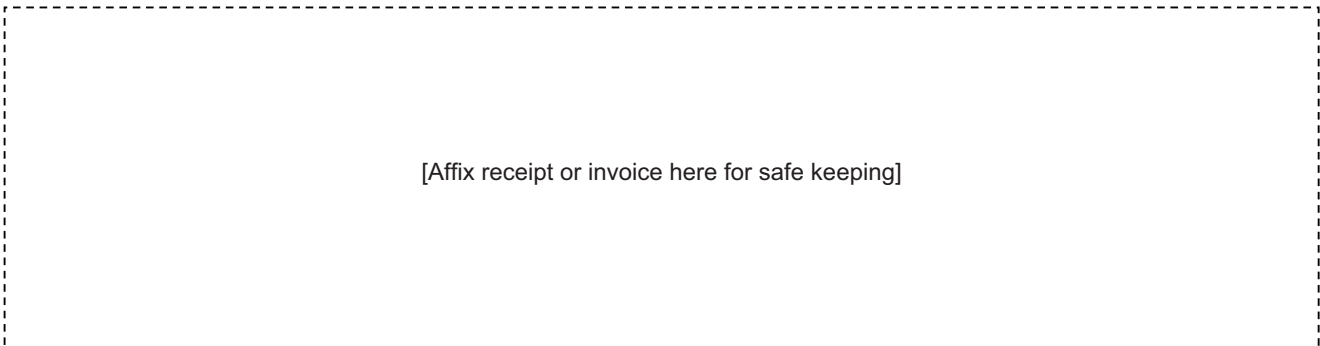
To access the benefits of this warranty, contact your supplier, or point of sale directly. You may be advised to return the product under warranty, freight prepaid, to your supplier for warranty determination.

If this ATD product is altered, abused, misused, modified, or undergoes service by an unauthorized technician, your warranty will be void. We are not responsible for damage to ornamental designs you place on this ATD product and such ornamentation should not cover any warnings or instructions or they may void the warranty. This warranty does not cover scratches, superficial dents, and other abrasions to the paint finish that occur under normal use. It also does not cover normal wear items such as but not limited to brushes, batteries, drill bits, drill chucks, pads or blades.

Subject to the law in your state:

- (1) Your sole and exclusive remedy is repair or replacement of the defective product as described above.
- (2) ATD is not liable for any incidental damages, including but not limited to, lost profits and unforeseeable consequences.
- (3) The repair and replacement of this product under the express limited warranty described above is your exclusive remedy and is provided in lieu of all other warranties, express or implied. All other warranties, including implied warranties and warranties of merchantability or fitness for a particular purpose are disclaimed and, if disclaimer is prohibited, these warranties are limited to one year from your date of purchase of this product.

Some states' laws do not allow limited durations on certain implied warranties and some states' laws do not allow limitations on incidental or consequential damages. You should consult the law in your state to determine how your rights may vary.



[Affix receipt or invoice here for safe keeping]